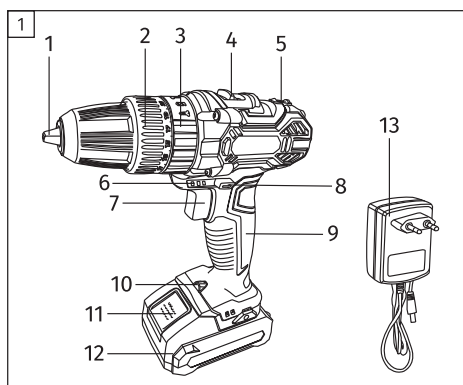


EN - CORDLESS DRILL (CD20SK)

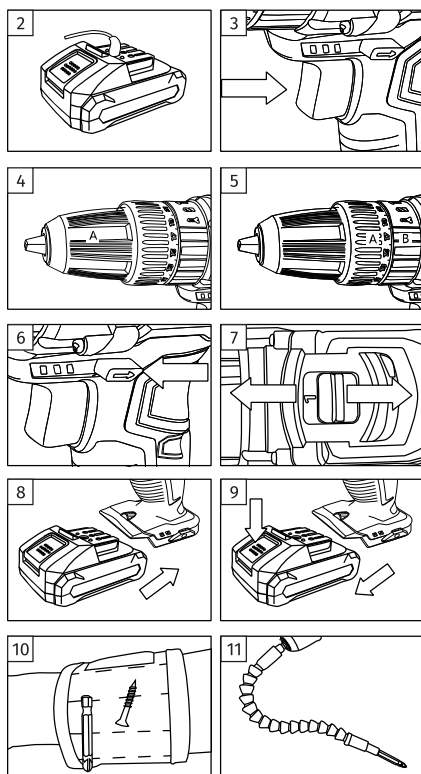
ORIGINAL VERSION

OPERATION MANUAL

WARNING: PLEASE READ THE MANUAL CAREFULLY BEFORE USING THE UNIT!



- | | |
|------------------------------------|---------------------------|
| 1. Keyless chuck | 7. On/Off trigger switch |
| 2. Torque adjuster | 8. Forward/reverse switch |
| 3. Function adjustment ring | 9. Hand grip |
| 4. Two speed gear train (high-low) | 10. LED light |
| 5. Spirit level | 11. Battery release catch |
| 6. Battery capacity indicator | 12. Li-ion battery |
| | 13. Charger |



EXPLANATION OF THE SYMBOLS

	Denotes risk of personal injury, loss of life or damage to the tool in case of non-observance of the instructions in this manual.
	Do not expose batteries to temperatures exceeding 40 °C.
	Do not dispose of batteries in fire. They could explode and cause injury.
	Do not dispose of batteries in water.
	This charger is suitable for indoor use only.
	Protection class II : Device equipped with a reinforced insulation without metallic part accessible. Does not require a plug connected to the earth.
	Take defective components to a special refuse collection point. Ask about these at your specialist shop or local council.

SAFETY INSTRUCTIONS



WARNING!

Read all safety warnings and all instructions. Failure to follow the warnings and instructions may result in electric shock, fire and/or serious injury. **Save all warnings and instructions for future reference.**



The term "power tool" in the warnings refers to your mains-operated (corded) power tool or battery-operated (cordless) power tool.

1. WORK AREA SAFETY

- Keep work area clean and well lit. Cluttered or dark areas invite accidents.
- Do not operate power tools in explosive atmospheres, such as in the presence of flammable liquids, gases or dust. Power tools create sparks which may ignite the dust or fumes.
- Keep children and bystanders away while operating a power tool. Distractions can cause you to lose control.

2. ELECTRICAL SAFETY

- Power tool plugs must match the outlet. Never modify the plug in any way. Do not use any adapter plugs with earthed (grounded) power tools. Unmodified plugs and matching outlets will reduce risk of electric shock.
- Avoid body contact with earthed or grounded surfaces, such as pipes, radiators, ranges and refrigerators. There is an increased risk of electric shock if your body is earthed or grounded.
- Do not expose power tools to rain or wet conditions. Water entering a power tool will increase the risk of electric shock.
- Do not abuse the cord. Never use the cord for carrying, pulling or unplugging the power tool. Keep cord away from heat, oil, sharp edges or moving parts. Damaged or entangled cords increase the risk of electric shock.
- When operating a power tool outdoors, use an extension cord suitable for outdoor use. Use of a cord suitable for outdoor use reduces the risk of electric shock.
- If operating a power tool in a damp location is unavoidable, use a residual current device (RCD) protected supply. Use of an RCD reduces the risk of electric shock.

3. PERSONAL SAFETY

- a. **Stay alert, watch what you are doing and use common sense when operating a power tool. Do not use a power tool while you are tired or under the influence of drugs, alcohol or medication.** A moment of inattention while operating power tools may result in serious personal injury.
- b. **Use personal protective equipment. Always wear eye protection.** Protective equipment such as dust mask, non-skid safety shoes, hard hat, or hearing protection used for appropriate conditions will reduce personal injuries.
- c. **Prevent unintentional starting. Ensure the switch is in the off-position before connecting to power source and/or battery pack, picking up or carrying the tool.** Carrying power tools with your finger on the switch or energising power tools that have the switch on invites accidents.
- d. **Remove any adjusting key or wrench before turning the power tool on.** A wrench or a key left attached to a rotating part of the power tool may result in personal injury.
- e. **Do not overreach. Keep proper footing and balance at all times.** This enables better control of the power tool in unexpected situations.
- f. **Dress properly. Do not wear loose clothing or jewellery. Keep your hair, clothing and gloves away from moving parts.** Loose clothes, jewellery or long hair can be caught in moving parts.
- g. **If devices are provided for the connection of dust extraction and collection facilities, ensure these are connected and properly used.** Use of dust collection can reduce dust related hazards.

4. POWER TOOL USE AND CARE

- a. **Do not force the power tool. Use the correct power tool for your application.** The correct power tool will do the job better and safer at the rate for which it was designed.
- b. **Do not use the power tool if the switch does not turn it on and off.** Any power tool that cannot be controlled with the switch is dangerous and must be repaired.
- c. **Disconnect the plug from the power source and/or the battery pack from the power tool before making any adjustments, changing accessories, or storing power tools.** Such preventive safety measures reduce the risk of starting the power tool accidentally.
- d. **Store idle power tools out of the reach of children and do not allow persons unfamiliar with the power tool or these instructions to operate the power tool.** Power tools are dangerous in the hands of untrained users.
- e. **Maintain power tools. Check for misalignment or binding of moving parts, breakage of parts and any other condition that may affect the power tool's operation. If damaged, have the power tool repaired before use.** Many accidents are caused by poorly maintained power tools.
- f. **Keep cutting tools sharp and clean.** Properly maintained cutting tools with sharp cutting edges are less likely to bind and are easier to control.
- g. **Use the power tool, accessories and tool bits etc. in accordance with these instructions, taking into account the working conditions and the work to be performed.** Use of the power tool for operations different from those intended could result in a hazardous situation.

5. BATTERY TOOL USE AND CARE

- a. Recharge only with the charger specified by the manufacturer. A charger that is suitable for one type of battery pack may create a risk of fire when used with another battery pack.
- b. Use power tools only with specifically **designated battery packs.** Use of any other battery packs may create a risk of injury and fire.
- c. **When battery pack is not in use, keep it away from other metal objects, like paper clips, coins, keys, nails, screws or other small metal objects that can make a connection from one terminal to another.** Shorting the battery terminals together may cause burns or a fire.
- d. **Under abusive conditions, liquid may be ejected from the battery; avoid contact.** If contact accidentally occurs, flush with water. **If liquid contacts eyes, additionally seek medical help.** Liquid ejected from the battery may cause irritation or burns.

6. SERVICE

- a. **Have your power tool serviced by a qualified repair person using only identical replacement parts.** This will ensure that the safety of the power tool is maintained.

7. SAFETY WARNINGS FOR DRILLS

- a. **Wear hearing protection during impact drilling.**
Exposure to noise can cause loss of hearing. **NOTE:** The above warning applies only to impact drills and may be omitted for drilling other than impact drilling.
- b. Use an auxiliary handle, if supplied with the tool. Loss of control can cause personal injury.
- c. Keep the machine tool by the isolated plug areas when performing an operation where the cutting accessory may come into contact with a hidden cable. The cutting accessory coming into contact with a live cable can expose the metal parts of the tool to tension and could give an electric shock to the viewer.
- d. This appliance may be used by children aged 8 years or older and by persons with reduced physical, sensory or mental capacities or without experience or knowledge if they are properly supervised or instructions for the safe use of the appliance have been given and the risks involved have been taken into account. Children should not play with the appliance. Cleaning and maintenance by the user should not be carried out by unattended children.
- e. If the power cable is damaged, it must be replaced by the manufacturer, its after-sales service or persons of similar qualification in order to avoid a hazard.

8. SAFETY WARNINGS FOR CHARGERS

- a. Before using the charger and the battery pack, read the instruction manual carefully.
- b. During charging, the electrical current used must correspond to the specifications of the battery charger.
- c. Never allow moisture, rain or splash to reach the recharging location.
- d. The ambient temperature should never exceed 40 °C. Never expose the unit to direct sunlight.
- e. A faulty or damaged battery pack or no longer accepting a load must be disposed of at a special collection point. Respect the environment. Do not dispose of an unusable battery pack with household waste in the fire or in water.
- f. Use only the battery pack supplied by the manufacturer.
- g. Always keep the surface of the charger free of dust and dirt.
- h. Insert the battery pack into the charger. Follow the polarity guides.
- i. Always remove the battery pack before performing any operation on the device.
- j. When the battery is disconnected from the tool, cover the contacts to avoid a short circuit (e.g. from tools).
- k. Do not throw the battery in water or fire, risk of explosion!
- l. Protect the battery case from shocks and do not open it.
- m. Never discharge the battery completely and recharge it regularly if you do not use it for an extended period of time.



RESIDUAL RISKS

Even with use of the tool as described, it is impossible to eliminate all residual risk factors. The following hazards may be present in connection with the construction and design of the tool:

1. Pulmonary lesions if an effective mask is not worn.
2. Hearing damage if effective hearing protection is not worn.
3. Body injuries caused by vibration emissions if the electrical appliance is used improperly or for a prolonged or poorly maintained period.



WARNING!

This device produces an electromagnetic field during operation. This field may interfere in certain circumstances with active or passive medical implants.

To reduce the risk of serious or fatal injury, we recommend that people with medical implants consult with their physician and the medical implant manufacturer before using this device.

9. INTENDED USE

This power tool is designed for drilling as well as for tightening and loosening screws.

This power tool should not be used for purposes other than those described.

USE AND FUNCTION

INSTALLING AND RELEASE THE BATTERY PACK

Set Forward/Reversing lever to the center (off position).

Slide charged battery pack into the housing until the battery pack locks into position. (fig. 8)

To remove the battery pack, press the battery pack release button and slide the battery pack forward. (fig. 9)

CHARGING THE BATTERY (fig. 2)

Do not use other battery chargers. The supplied battery charger is designed for the Lithium-ion battery in your machine. This charger is suitable for indoor use only.

NOTE: The battery is supplied partially charged. To ensure full capacity of the battery, completely charge the battery with the battery charger before using your power tool for the first time. The Lithium-ion battery can be charged at any time without reducing its service life. Interrupting the charging procedure does not damage the battery. When the battery charge indicator shows a green light the battery should be charged.

The charging procedure begins as soon as the mains plug of the battery charger is plugged into a socket outlet and the charge connector is plugged into the socket on the side of the battery. (fig. 2) The battery charge indicator on the plug shows the charging process. During the process the indicator shows a red light. When the battery charge indicator shows a green light, the battery is fully charged. During the procedure, the handle of the tool warms up, this is normal. The drill requires 1 hour to fully charge. Disconnect the battery charger from the mains supply when not in use.

NOTE: The power tool cannot be used during the charge procedure.

VARIABLE SPEED CONTROL (fig. 3)

Simply apply light pressure to the trigger to start the drill on a slow speed. Increasing the pressure will allow a variable speed increase. Always remove the battery before carrying out any adjustments or maintenance.

KEYLESS CHUCK OPERATION (fig. 4)

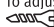
The keyless chuck fitted to this drill/driver allows for the easy installation and removal of bits and drills (fig. 4).

Select the drill/driver bit required and insert it into the chuck jaws, turn the keyless chuck (A) a clockwise direction until jaws grip the drill/driver bit. To release the keyless chuck, turn it a anticlockwise direction.

FUNCTION ADJUSTMENTS (fig. 5)

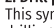
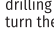
1. Torque adjustments

This feature allows setting of the torque or tightening power of your drill/driver and depending on the application, various levels of driving power are required. When driving larger screw diameters a higher torque power is required to drive the screw until it's properly seated. When the selected torque is reached the chuck will stop rotating (fig. 5).

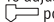
To adjust the torque, first turn the function adjustment ring (B) to  then turn the torque adjuster (A) to according position.

NOTE: Always start on the lowest setting.

2. Drill position adjustment

This symbol  gives the highest torque setting and is used when drilling and for driving larger screws. To adjust to drill position, just turn the function adjustment ring to  position.

3. Impact position adjustment

To drill in the concrete and brick, adjust the drill to impact position. To adjust to impact position, turn the function adjustment ring to  position.

FORWARD & REVERSE SWITCH (fig. 6)

This feature is selected via a slide switch located above the trigger. To select direction of the drill rotation simply push the button fully in on the left side for reverse rotation. To change to forward rotation, push the button fully in on the right side of the handle.

WARNING! The machine is designed as a drill and driver. Do not attach any other accessories other than those recommended.

NOTE: As a safety precaution from accidental engagement while being carried pushing the forward/reverse button into the middle or neutral position will render the drill inoperative.

TWO SPEED GEAR TRAIN

This drill comes with a 2 speed gear train to give high and low speed ranges. To change between the two speed ranges slide the selector switch, located on top of the drill. (fig. 7)

Use the low (1) speed for high power and torque applications and high (2) speed for fast drilling or driving applications.

Do not use the speed gear train while the tool is running. The tool may be damaged.

LED WORK LIGHT

CAUTION: Do not look in the light or see the source of light directly.

Pull the On/Off trigger to light up the lamp. The lamp keeps on lighting while the switch trigger is being pulled. The lamp goes out immediately after releasing the trigger.

BATTERY CAPACITY INDICATOR

There are three battery capacity indicators: red, yellow and green.

If three indicators are light up, enough electricity is in the battery pack; if red and yellow indicators light up, about 50% electricity is in the battery pack; if only the red indicator lights up, less than 25% electricity is in the battery pack, the battery needs to be charged.

HINTS FOR SCREW DRIVING

Whenever possible drill small diameter pilot holes for faster screwing, eliminating the possibility of splitting the wood.

SPIRIT LEVEL

There is a spirit level on the top of the housing. If you need to drill a hole parallel with the ground, you can use the spirit level. When using, ensure that the air bubble is in the two lines in the middle of the spirit level.

HOW TO USE THE ACCESSORIES

Wrist band: There are magnets inside the wrist band so you can conveniently carry screws or screw bits. To use it, put it around your arm and put the screw or screw bits on it (fig. 10).

Flexible shaft: When working in small corners or tight spots you can use the flexible shaft. To use it, insert the flexible shaft in the chuck and tighten it, then insert a screw bit on the another end. The flexible shaft can be bend to desired direction (fig. 11).

Screw and wall plug: There are three types of screws and wall plugs. When using a wall plug, first drill a hole. Insert the wall plug in the hole, then screw in the corresponding screw.

SCREW	WALL PLUG	DRILL BIT
3.5 x 12 mm (12 pcs)	#5 - Red (12 pcs)	5 mm
4 x 30 mm (8 pcs)	#6 - Green (8 pcs)	6 mm
5 x 30 mm (6 pcs)	#8 - Blue (6 pcs)	8 mm

MAINTENANCE AND STORAGE



CAUTION!

Do not use any products that may damage the unit (abrasives, corrosives, alcohol, steam cleaners, abrasive rags, scrapers, etc.). Do not put the unit in a dishwasher for cleaning!

The unit must be completely switched off, disconnected and cooled before cleaning.

MAINTENANCE

- When necessary, you can clean the unit body with a soft, dry cloth.
- Check that the machine has not been damaged. If the machine is damaged, we recommend you to call a qualified technician to inspect the machine and make necessary repairs.
- Check the condition of the mandrels. Do not use worn or damaged mandrels.
- When necessary, charge the screwdriver.

STORAGE

Store the tool and its accessories in a dry, frost-free place.

The tool should always be kept out of the reach of children. We recommend to store the tool in its original packaging or covering it with a suitable fabric to protect it from dust.

TECHNICAL SPECIFICATIONS

MODEL	CD20SK	
Voltage	18 V DC	
No load speed	0-400/0-1350 min ⁻¹	
Keyless chuck size	Ø10 mm	
Charger	Input 100-240 V~ 50/60 Hz, 0.8 A	
	Output 21.5 V DC, 1.5 A	
DECLARATION OF SOUND LEVEL ACCORDING TO EN 60745		
Sound pressure level (dB(A))	L _{pA} = 82.2 (work model)	
	L _{pA} = 66 (no load)	
Sound power level (dB(A))	L _{WA} = 93.2 (work model)	
	L _{WA} = 77 (no load)	
Uncertainty (dB(A))	K = 3	
DECLARATION OF VIBRATION LEVEL ACCORDING TO EN 60745		
Drilling in metal (m/s ²)	a _{h,D} = 1.464 / a _{h,ID} = 4.156	
Work mode (m/s ²)	No load/max. speed a _h = 1.542	
Uncertainty (m/s ²)	K = 1.5	
Quick recharging	Battery voltage	18 V DC
	Charging time	1 h



WARNING:

The declared vibration total value has been measured in accordance with standard EN 60745 test method and may be used for comparing one tool with another; The declared vibration total value may also be used in a preliminary assessment of exposure.

That the vibration emission during actual use of the power tool can differ from the declared total value depending on the ways in which the tool is used; and of the need to identify safety measures to protect the operator that are based on an estimation of exposure in the actual conditions of use (taking account of all parts of the operating cycle such as the times when the tool is switched off and when it is running idle in addition to the trigger time).

INSTRUCTIONS FOR THE PROTECTION OF THE ENVIRONMENT (WEEE, the waste electrical and electronic equipment directive)



Your product has been manufactured from high quality materials and components which can be recycled and used again. At the end of its life, this product cannot be disposed of in normal domestic waste, but must be taken to a special collection point for the recycling of electrical and electronic equipment. The waste container marked with a cross symbol on the item, in the user manual and on the packaging informs you of this. The raw materials used are suitable for recycling.

By recycling used appliances or raw materials you are making an important contribution to the protection of our environment. You can find out the location of your nearest collection point from your local council.

Do not dispose of batteries in your household waste. To dispose of the batteries, take them to your local recycling station. Contact your local government offices for details.

Mascot Online BV
Veluwezoom 32
1327 AH Almere
The Netherlands
www.wolfgang-tools.nl



DECLARATION OF CONFORMITY

WOLFGANG
GERMANY

PROFI - WERKZEUGE

We,

Mascot Online BV
Veluwezoom 32
1327 AH Almere
The Netherlands

Declares that the machinery designated below :

CORDLESS DRILL

Model : CD20SK (J0Z-CD01D-180)
Serial number:

Complies with the provisions of the Directive « machinery » 2006/42/CE and national laws transposing it:

Also complies with the following European directives :

LVD directive 2014/35/EU
EMC Directive 2014/30/EU
ROHS Directive 2011/65/EU

Also complies with European standards, with national standards and the following technical provisions:
EN60745-1:2009+A11:2010; EN60745-2-1:2010;
EN60745-2-2:2010; EN62233:2008; EN55014-1:2006+A1:2009+A2:2011;
EN55014-2:2015

For charger:

EN60335-1:2012+A11:2014; EN60335-2-29:2004+A2 :2010;
EN55014-1:2006+A1:2009+A2:2011; EN55014-2:2015;
EN61000-3-2:2014; EN61000-3-3:2013

Date : March 8, 2018

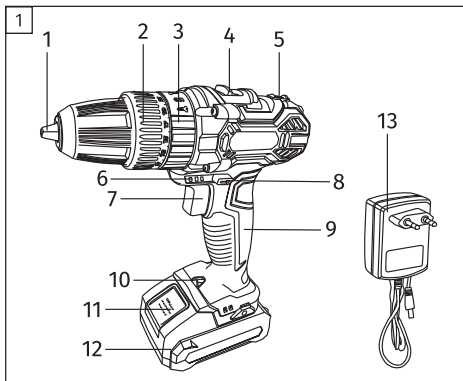
Mascot Online

Authorized Signature name: B. van Dijk

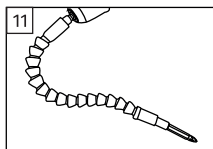
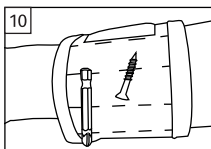
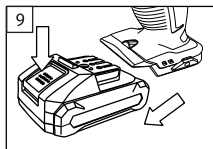
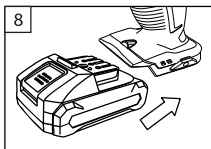
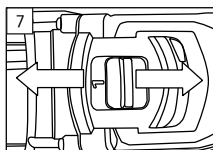
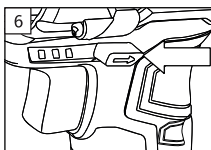
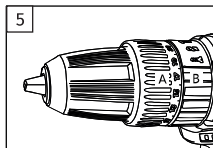
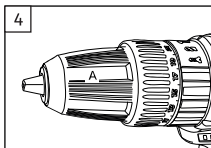
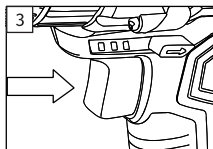
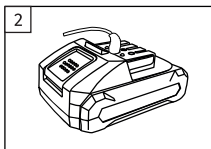
NL - SNOERLOZE BOORMACHINE (CD20SK)

GEbruiksaanwijzing

WAARSCHUWING:
NEEM DE GEbruiksaanwijzing ZORGVULDIG DOOR,
VOORDAT U HET APPARAAT GEbruIKT!



- | | |
|-------------------------------|--------------------------------|
| 1. Sleutellose boorhouder | 7. AAN/UIT-drukschakelaar |
| 2. Koppelinstelling | 8. Rechtsom/linksom-schakelaar |
| 3. Functiestelling | 9. Handgreep |
| 4. Twee snelheden (hoog-laag) | 10. LED-lampje |
| 5. Waterpas | 11. Ontgrendelpal accu |
| 6. Indicatie accucapaciteit | 12. Li-ion accu |
| | 13. Oplader |



UITLEG VAN DE SYMBOLEN

	Gevaar voor lichamelijk letsel of materiele schade wanneer de instructies in deze handleiding niet worden opgevolgd.
	Stel de accu niet bloot aan temperaturen boven 40 °C.
	Gooi accu's nooit in het vuur. Ze kunnen exploderen en letsel veroorzaken.
	Gooi accu's nooit in het water.
	Deze oplader is alleen geschikt voor gebruik binnenshuis.
	Beschermingsklasse II: Dit apparaat is uitgerust met extra isolatie waardoor metalen onderdelen niet toegankelijk zijn. Voor dit apparaat is geen geaarde stekker nodig.
	Defecte en/of afgedankte elektrische of elektronische gereedschappen dienen ter verwerking te worden aangeboden aan een daarvoor verantwoordelijke instantie.

VEILIGHEIDSinSTRUCTIES



WAARSCHUWING!

Lees alle veiligheids waarschuwingen en instructies.

Wanneer u de waarschuwingen en instructies niet opvolgt, kan dit leiden tot een elektrische schok, brand en/of ernstig letsel. **Bewaar alle waarschuwingen en instructies ter referentie.**

De term "power tool" in de waarschuwingen verwijst naar power tools die via het lichtnet (met een snoer) of met een accu worden gebruikt.



1. VEILIGHEID WERKGEBIED

- Zorg dat het werkgebied schoon en goed verlicht is. Op onoverzichtelijke of donkere locaties kunnen sneller ongelukken optreden.
- Bedien power tools niet in een omgeving met explosiegevaar, zoals in de buurt van ontvlambare vloeistoffen, gassen of stof. Power tools genereren vonken waardoor het stof of de dampen in brand kunnen vliegen.
- Zorg dat kinderen en omstanders niet te dicht in de buurt zijn wanneer u een power tool bedient. Zorg dat u niet wordt afgeleid en controle over het apparaat verliest.

2. ELEKTRICITEIT EN VEILIGHEID

- De stekker van de power tool moet geschikt zijn voor het stopcontact. De stekker mag op geen enkele wijze veranderd worden. Gebruik geen adapterstekkers bij geaarde power tools. Ongewijzigde stekkers en passende stopcontacten verkleinen de kans op een elektrische schok.
- Raak geen geaarde oppervlakken aan, zoals pijpen, radiatoren, fornuizen en koelkasten. U loopt meer kans op een elektrische schok wanneer uw lichaam geaard is.
- Stel power tools niet bloot aan regen of vocht. Wanneer water in een power tool lekt, wordt het risico op een elektrische schok vergroot.
- Ga voorzichtig om met het snoer. Gebruik het snoer nooit om de power tool te dragen, te trekken of los te koppelen. Houd het snoer verwijderd van warmte, olie en scherpe randen of bewegende onderdelen. Snoeren met beschadigingen of knopen verhogen het risico op een elektrische schok.
- Wanneer u een power tool buiten gebruikt, moet u een verlengsnoer gebruiken dat geschikt is voor buitengebruik. Het gebruik van een snoer dat geschikt is voor buitengebruik beperkt het risico op een elektrische schok.
- Als het noodzakelijk is een power tool op een vochtige locatie te gebruiken, moet u zorgen dat de voeding voorzien is van een aardlekschakelaar. Het gebruik van een aardlekschakelaar beperkt het risico op een elektrische schok.

3. PERSOONLIJKE VEILIGHEID

- Let op wat u doet en gebruik uw gezond verstand bij het bedienen van een power tool. Gebruik geen power tool wanneer u vermoed bent of onder de invloed van drugs, alcohol of medicatie.** Een enkel moment van onoplettendheid tijdens het gebruik van een power tool kan leiden tot ernstig persoonlijk letsel.
- Gebruik een persoonlijke veiligheidsuitrusting. Draag altijd oogbescherming.** Het gebruik van een veiligheidsuitrusting, zoals een stofmasker, antislipveiligheidsschoenen, helm of gehoorbescherming in toepasselijke omstandigheden beperkt het risico op persoonlijk letsel.
- Zorg dat u het apparaat niet per ongeluk start. Zorg dat de schakelaar in de uit-stand staat voordat u het apparaat aansluit op de voedingsbron en/of accu, of het apparaat optilt of vervoert.** Wanneer u een power tool draagt met uw vinger op de schakelaar, of een power tool aansluit met de schakelaar in de aan-stand, kunnen er gemakkelijk ongelukken optreden.
- Verwijder eventuele stelschroeven of moersleutels voordat u de power tool inschakelt.** Wanneer een moersleutel of schroef nog aan een bewegend onderdeel van de power tool is bevestigd terwijl deze wordt ingeschakeld, kan dit leiden tot persoonlijk letsel.
- Zorg dat u niet te ver reikt. Zorg dat u altijd stevig staat en balans houdt.** Hierdoor kunt u beter controle houden over de power tool in onverwachte situaties.
- Draag geschikte kleding. Draag geen losse kleding of sieraden. Houd uw haar, kleding en handschoenen uit de buurt van bewegende onderdelen.** Losse kleding, sieraden of lang haar kan in de bewegende onderdelen verstrikt raken.
- Als apparaten worden toegepast voor stofafzuiging en stofopvang, moet u controleren of deze correct worden aangesloten en gebruikt.** Het gebruik van apparaten voor stofafzuiging kan stofgerelateerde gevaren beperken.

4. GEBRUIK EN ONDERHOUD VAN POWER TOOLS

- Pas nooit overmatige kracht toe op de power tool. Gebruik de juiste power tool voor uw toepassing.** Met de juiste power tool wordt de taak beter en veiliger uitgevoerd, met de snelheid waarvoor deze is ontworpen.
- Gebruik de power tool niet als deze met de schakelaar niet in- en uitgeschakeld kan worden.** Een power tool die niet met de schakelaar kan worden bediend, is gevaarlijk en moet worden gerepareerd.
- Trek de stekker uit het stopcontact en/of verwijder de accu voordat u enige aanpassingen maakt, accessoires wijzigt of power tools opbergt.** Dergelijke preventieve veiligheidsmaatregelen verkleinen de kans dat de power tool per ongeluk wordt gestart.
- Berg niet-gebruikte power tools op buiten het bereik van kinderen en laat de power tool niet bedienen door personen die niet bekend zijn met de power tool of deze instructies.** Power tools zijn gevaarlijk wanneer ze worden bediend door onervaren gebruikers.
- Onderhoud power tools. Controleer of bewegende onderdelen correct zijn uitgelijnd en niet vastlopen, of onderdelen niet zijn gebroken of in een staat zijn die de werking van de power tool hindert. Laat de power tool bij beschadiging repareren voor gebruik.** Veel ongelukken worden veroorzaakt door slecht onderhouden power tools.
- Zorg dat snijhulpstukken scherp en schoon blijven.** Goed onderhouden snijhulpstukken met een scherpe snijrand zullen minder snel vastlopen en kunnen gemakkelijker worden bediend.
- Gebruik de power tool, accessoires, hulpstukken, enzovoort in overeenstemming met deze instructies en houd rekening met de werkomstandigheden en het werk dat moet worden uitgevoerd.** Gebruik van de power tool voor andere bewerkingen dan die waar de power tool voor is bedoeld, kan leiden tot gevaarlijke situaties.

5. GEBRUIK EN ONDERHOUD VAN ACCUGEREEDSCHAP

- Laad de accu alleen op met de oplader die door de fabrikant wordt aangegeven. Een oplader die geschikt is voor een bepaald type accu kan brandgevaar opleveren wanneer deze wordt gebruikt voor een andere accu.
- Gebruik power tools alleen met de specifieke daarvoor bestemde accu. Het gebruik van een andere accu kan het risico van letsel en brand opleveren.
- Als de accu niet wordt gebruikt, moet u deze uit de buurt houden van metalen objecten zoals paperclips, munten, sleutels, spijkers, schroeven of andere kleine metalen objecten die de beide polen met elkaar zouden kunnen verbinden. Kortsluiting van de accupolen kan vonken, brandwonden of brand veroorzaken.
- Bij onjuist gebruik kan er vloeistof uit de accu spatten; vermijd contact hiermee. Als u er wel mee in contact komt, spoel de vloeistof dan goed af met water. Als vloeistof in uw ogen terecht komt, moet u ook medische hulp zoeken. Vloeistof dat uit de accu spat kan leiden tot irritatie of brandwonden.

6. ONDERHOUD

- Eventueel onderhoud aan uw power tool moet worden uitgevoerd door een gekwalificeerde persoon met gebruik van identieke vervangende onderdelen. Dit zorgt ervoor dat de veiligheid van de power tool wordt gegarandeerd.

7. VEILIGHEIDSWAARSCHUWINGEN VOOR BOORMACHINES

- Draag tijdens gebruik oorbeschermers**
Blootstelling aan lawaai kan leiden tot gehoorverlies.
OPMERKING: De bovenstaande waarschuwing is alleen van toepassing op klopboren. Voor andere boormachines geldt deze waarschuwing mogelijk niet.
- Gebruik het extra handvat als dat bij het gereedschap is meegeleverd. Verlies van controle over het gereedschap kan leiden tot persoonlijk letsel.
- Houd het gereedschap vast bij de geïsoleerde grijpvlakken wanneer u werk uitvoert waarbij de kans bestaat dat u een verborgen kabel raakt. Wanneer hulpstukken in contact komen met een kabel die onder spanning staat, kunnen de metalen onderdelen van de power tool ook onder spanning komen te staan waardoor de gebruiker een schok kan krijgen.
- Dit gereedschap mag worden gebruikt door kinderen vanaf 8 jaar en door personen met verminderde fysieke, zintuiglijke of geestelijke capaciteiten of gebrek aan ervaring en kennis als ze begeleiding of instructies krijgen over het veilige gebruik van het apparaat en begrippen welke risico's hieraan verbonden zijn. Kinderen mogen niet met het apparaat spelen. Reiniging en gebruikersonderhoud mag niet worden uitgevoerd door kinderen, tenzij ze onder toezicht van een volwassene staan.
- Als de voedingskabel is beschadigd, moet deze worden vervangen door de fabrikant, de aftersales-afdeling daarvan of een vergelijkbaar gekwalificeerde persoon om mogelijke gevaarlijke situaties te voorkomen.

8. VEILIGHEIDSWAARSCHUWINGEN VOOR OPLADERS

- Lees de handleiding zorgvuldig door voordat u de oplader en de accu gebruikt.
- De elektrische stroom die wordt gebruikt voor het opladen, moet overeenkomen met de specificaties van de acculader.
- Het opladen mag nooit plaatsvinden in vochtige omstandigheden, in de regen of in de buurt van opspattend water.
- De omgevingstemperatuur mag nooit hoger zijn dan 40 °C. Stel de oplader nooit bloot aan direct zonlicht.
- Een defecte of beschadigde accu of een accu die niet meer kan worden opgeladen, moet worden ingeleverd bij een speciaal inzamelpunt. Respecteer het milieu. Gooi een onbruikbare accu niet weg met huishoudelijk afval, in het vuur of in water.
- Gebruik uitsluitend de accu die door de fabrikant is meegeleverd.
- Houd het oppervlak van de oplader altijd vrij van stof en vuil.
- Plaats de accu in de oplader. Volg de aanwijzingen betreffende polariteit.
- Verwijder altijd eerst de accu voordat u werkzaamheden aan het apparaat uitvoert.
- Wanneer u de accu loskoppelt van het gereedschap, moet u de contactpunten afdekken om kortsluiting te voorkomen (door gereedschap bijvoorbeeld).
- Gooi de accu niet in water of vuur, omdat dit een explosie kan veroorzaken!
- Bescherm de behuizing van de accu tegen schokken en open deze niet.
- Laat de accu nooit volledig ontladen en laad de accu regelmatig op wanneer u deze voor langere tijd niet gebruikt.



BLIJVENDE GEVAREN

Zelfs wanneer u het gereedschap gebruikt zoals voorgeschreven, blijven er toch gevaren bestaan. De constructie en het ontwerp van de boormachine brengen de volgende gevaren met zich mee:

- Schade aan de longen wanneer er geen goed masker wordt gedragen.
- Schade aan het gehoor wanneer er geen goede gehoorbescherming wordt gedragen.
- Letsel aan het lichaam veroorzaakt door trillingen wanneer het elektrische gereedschap verkeerd of gedurende een langere tijd wordt gebruikt of slecht wordt onderhouden.



WAARSCHUWING!

Dit apparaat produceert tijdens het gebruik een elektromagnetisch veld. Dit veld kan onder bepaalde omstandigheden de werking van actieve of passieve medische implantaten verstoren. Om de kans op ernstig of dodelijk letsel te beperken, raden we personen met medische implantaten aan met hun arts en de fabrikant van medische implantaten te overleggen voordat ze dit apparaat gebruiken.

9. BEOOGD GEBRUIK

Deze power tool is bedoeld voor boorwerkzaamheden en voor het vast- en losdraaien van schroeven.

Deze power tool mag niet worden gebruikt voor andere doeleinden dan hier beschreven.

GEBRUIK EN FUNCTIE

INSTALLEREN EN VERWIJDEREN VAN DE ACCU

Zet de voorruit-achterruit-hendel in het midden (uit-stand).

Schuif de opgeladen accu in de behuizing tot de accu vastklikt. (afb. 8)

Om de accu te verwijderen, drukt u op de ontgrendelknop van de accu en schuift u de accu naar voren. (afb. 9)

OPLADEN VAN DE ACCU (afb. 2)

Gebruik geen andere acculaders. De meegeleverde acculader is bedoeld voor de lithium-ion-accu in uw boormachine. Deze oplader is alleen geschikt voor gebruik binnenshuis.

LET OP: De accu wordt gedeeltelijk opgeladen geleverd. Om de volledige capaciteit van de accu te garanderen, moet u de accu volledig opladen met de acculader voordat u de power tool voor de eerste keer gebruikt. De lithium-ion-accu kan te allen tijde worden opgeladen zonder de levensduur ervan te verminderen. Het onderbreken van het oplaadproces beschadigt de accu niet.

Als het oplaadlampje van de accu groen is, moet de accu worden opgeladen.

Het oplaadproces begint zodra de stekker van de acculader in een stopcontact wordt gestoken en de oplaadstekker in de contactdoos aan de zijkant van de accu wordt gestoken. (afb. 2)

Het oplaadlampje op de stekker toont het oplaadproces. Tijdens dit proces is het lampje rood. Wanneer het oplaadlampje van de accu weer groen is, is de accu volledig opgeladen.

Tijdens dit proces wordt het handvat van het apparaat warm, dat is normaal.

De boormachine heeft 1 uur nodig om volledig op te laden. Haal de stekker van de acculader uit het stopcontact als u het apparaat niet gebruikt.

LET OP: De power tool mag niet worden gebruikt tijdens het oplaadproces.

VARIABLE SNELHEIDSREGELING (afb. 3)

Oefen lichte druk uit op de trekker om de boor op een langzame snelheid te starten. Naarmate u meer druk uitoefent, neemt de variabele snelheid toe. Verwijder de accu altijd voordat u instellingen of onderhoud uitvoert.

WERKING SLEUTELLOSZE BOORHOUDER (afb. 4)

De sleutellose boorhouder op deze schroefboormachine zorgt ervoor dat schroef- en boorbits eenvoudig kunnen worden geplaatst (afb. 4).

Selecteer het benodigde schroefbit/boorbit, plaats het in de boorhouder en draai de sleutellose boorhouder (A) rechtsom totdat het schroefbit/boorbit vast zit. Om de sleutellose boorhouder te openen, draait u deze linksom.

FUNCTIE-INSTELLINGEN (afb. 5)

1. Koppelinstelling

Deze functie biedt u de mogelijkheid de torsie of de aandruaakracht van de boormachine/schroevendraaier af te stellen. Afhankelijk van de toepassing kan een verschillende aandruaakracht vereist zijn. Wanneer u schroeven met een grotere diameter moet inschroeven, is een hogere torsie vereist om de schroef aan te draaien tot deze goed vast zit. Wanneer de geselecteerde torsie is bereikt, stopt de bitklem met draaien (afb. 5).

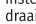
Om het koppelen in te stellen, draait u eerst de functieinstelling (B) naar  en daarna draait u de koppelinstelling (A) naar de gewenste stand.

LET OP: Begin altijd op de laagste stand.

2. Instelling boorstand

Dit symbool  biedt de hoogste torsie-instelling en wordt gebruikt bij het boren en bij het indraaien van grotere schroeven. Om de boorstand in te stellen, draait u de functieinstelling gewoon naar de  stand.

3. Instelling klopboorstand

Om in beton en baksteen te kunnen boren, moet u de boormachine instellen op de klopboorstand. Om de klopboorstand in te stellen, draait u de functieinstelling naar de  stand.

VOORUIT-/ACHTERUIT-SCHAKELAAR (afb. 6)

Deze functie wordt geselecteerd met een schuifschakelaar die boven de trekker zit. Om de richting van de boorrotatie te selecteren, drukt u de knop aan de linkerkant volledig in om te zorgen voor een omgekeerde rotatie. Om over te schakelen naar voorwaartse rotatie, drukt u de knop aan de rechterkant van het handvat volledig in.

WAARSCHUWING: De machine kan worden gebruikt als boormachine en als schroevendraaier. Plaats uitsluitend de aanbevolen hulpstukken.

LET OP: Als voorzorgsmaatregel tegen ongewenste activering tijdens het dragen, kunt u de voorruit-/achterruit-schakelaar in de middelste of neutrale stand zetten om de boormachine buiten werking te stellen.

AANDRIJVING MET TWEE SNELHEDEN

Deze boormachine beschikt over een aandrijving met 2 snelheden, waardoor een hoog en een laag snelheidsbereik wordt geboden.

Om tussen de twee snelheidsbereiken te schakelen, verschuift u de keuzeschakelaar bovenop de boormachine. (afb. 7)

Gebruik de lage snelheid (1) voor krachtige en torsie-toepassingen en de hoge snelheid (2) voor snel boren of schroeven. Gebruik de aandrijving met twee snelheden niet wanneer het gereedschap draait. Hierdoor kan het gereedschap worden beschadigd.

LED-WERKLAMP

VOORZICHTIG: Kijk niet rechtstreeks in het licht of naar de bron van de licht.

Trek de Aan/Uit-schakelaar naar voren om de lamp te laten branden. De lamp blijft branden zolang er aan de schakelaar wordt getrokken. De lamp gaat onmiddellijk uit zodra de schakelaar wordt losgelaten.

INDICATIE ACCUCAPACITEIT

Er zijn drie indicatielampjes voor de accucapaciteit: rood, geel en groen. Wanneer alle drie de indicatielampjes branden, heeft de accu nog voldoende capaciteit. Wanneer de rode en gele indicatielampjes branden, beschikt de accu nog over ongeveer 50% capaciteit. Wanneer alleen het rode indicatielampje brandt, dan beschikt de accu over minder dan 25% van de capaciteit en moet de accu worden opgeladen.

AANWIJZINGEN VOOR SCHROEVENDRAAIEN

Boor – waar mogelijk – gaten met een kleine diameter voor, zodat u sneller kunt schroeven en de mogelijkheid voorkomt dat hout gaat splijten.

WATERPAS

Bovenop de behuizing zit een waterpas. Wanneer u evenwijdig aan de vloer een gat moet boren, dan kunt u de waterpas gebruiken. Wanneer u deze gebruikt, moet u ervoor zorgen dat de luchtbel tussen de twee lijntjes in het midden van de waterpas blijft.

GEBRUIK VAN DE ACCESSOIRES

Polsband: In de polsband zitten magneten zodat u heel handig schroeven of schroefbits bij de hand kunt houden. Om de polsband te gebruiken, doet u deze om uw pols en plaatst u schroeven of schroefbits erop (afb. 10).

Flexibele as: U kunt de flexibele as gebruiken wanneer u in kleine hoeken of krappe plekken werkt. Om de flexibele as te gebruiken, plaatst u deze in de boorhouder en draait u deze vast, waarna u een schroefbit aan het andere uiteinde plaatst. De flexibele as kan in de gewenste richting worden gebogen (afb. 11).

Schroeven en muurpluggen: Meegeleverd worden drie soorten schroeven en muurpluggen. Wanneer u een muurplug gebruikt, moet u eerst een gat boren. Plaats de muurplug in het gat en draai vervolgens de bijbehorende schroef in.

SCHROEF	MUURPLUG	BOORBIT
3,5 x 12 mm (12 stuks)	#5 - Rood (12 stuks)	5 mm
4 x 30 mm (8 stuks)	#6 - Groen (8 stuks)	6 mm
5 x 30 mm (6 stuks)	#8 - Blauw (6 stuks)	8 mm

ONDERHOUD EN OPSLAG



VOORZICHTIG!

Gebruik geen producten die het apparaat kunnen beschadigen (schuurmiddelen, bijtende middelen, alcohol, stoomreinigers, schuursponsjes, schrapers, enz.). Plaats het apparaat niet in een vaatwasser om het te reinigen!

Het apparaat moet volledig zijn uitgeschakeld (de stekker uit het stopcontact) en zijn afgekoeld voordat u het kunt reinigen.

ONDERHOUD

- Indien nodig, kunt u de behuizing van het apparaat reinigen met een zachte, droge doek.
- Controleer of de boormachine niet beschadigd is. Wanneer de boormachine beschadigd is, raden wij u aan een gekwalificeerde technicus in te schakelen om de machine te inspecteren en de noodzakelijke reparaties uit te voeren.
- Controleer de staat van de assen. Gebruik geen versleten of beschadigde assen.
- Laad de schroevendraaier op, indien nodig.

OPSLAG

Sla het gereedschap en de bijbehorende accessoires op een droge, vorstvrije plaats op.

De machine moet altijd buiten het bereik van kinderen worden gehouden. Wij raden u aan het gereedschap in de originele verpakking te bewaren of het te bedekken met een geschikt weefsel om het te beschermen tegen stof.

TECHNISCHE SPECIFICATIES

MODEL	CD20SK	
Spanning	18 V DC	
Vrije snelheid	0-400/0-1350 min ⁻¹	
Formaat sleutellose bitklem	Φ10 mm	
Oplader	Input 100-240 V~ 50/60 Hz, 0,8 A	
	Output 21,5 V DC, 1,5 A	
VERKLARING VAN GELUIDSNIVEAU VOLGENS EN 60745		
Geluidsdruk niveau (dB(A))	L _{PA} = 82,2 (werk model)	
	L _{PA} = 66 (onbelast)	
Geluidsniveau (dB(A))	L _{WA} = 93,2 (werk model)	
	L _{WA} = 77 (onbelast)	
Onzekerheid (dB(A))	K = 3	
VERKLARING VAN TRILLINGSNIVEAU VOLGENS EN 60745		
Boren in metaal (m/s ²)	a _{h,D} = 1,464 / a _{h,D} = 4,156	
Werkmodus (m/s ²)	Onbelast/max. snelheid a _n = 1,542	
Onzekerheid (m/s ²)	K = 1,5	
Snel opladen	Accuspanning	18 V DC
	Oplaadtijd	1 uur



WAARSCHUWING:

Het vermelde trillingsniveau is gemeten met een volgens EN 60745 genormeerde meetmethode en kan worden gebruikt om elektrische gereedschappen met elkaar te vergelijken; het vermelde trillingsniveau kan ook worden gebruikt voor een voorlopige inschatting van de trillingsbelasting. Het trillingsniveau tijdens het daadwerkelijke gebruik van de power tool kan verschillen van het vermelde niveau, afhankelijk van de manier waarop het gereedschap wordt gebruikt en van de noodzaak om veiligheidsmaatregelen te bepalen ter bescherming van de gebruiker, die worden gebaseerd op een inschatting van de belasting in de daadwerkelijke gebruiksomstandigheden (waarbij rekening wordt gehouden met alle onderdelen van de gebruikscyclus, zoals de tijd dat het gereedschap is uitgeschakeld, de tijd dat het stationair draait en de activeringstijd).

AANWIJZING TER BESCHERMING VAN HET MILIEU (WEEE, richtlijn betreffende afval van elektrische en elektronische apparatuur)



Uw product is vervaardigd van kwalitatief hoogwaardige materialen en onderdelen die gerecycled en opnieuw gebruikt kunnen worden. Dit product mag aan het einde van zijn levensduur niet bij het normale huisafval worden gedeponeerd, maar dient bij een speciaal inzamelpunt voor het hergebruik van elektrische en elektronische apparaten te worden ingeleverd. Het afvalcontainer-met-kruis symbool op het artikel, in de gebruiksaanwijzing en op de verpakking attendeert u hierop. De gebruikte grondstoffen zijn geschikt voor hergebruik.

Met het hergebruik van gebruikte apparaten of grondstoffen levert u een belangrijke bijdrage aan de bescherming van ons milieu. Informeer bij uw lokale overheid naar het dichtstbijzijnde inzamelpunt.

Gooi accu's en batterijen niet weg met het huisvuil. Gooi accu's niet weg, maar lever ze in bij een lokaal inzamelpunt voor recycling. Neem contact op met uw gemeente voor meer informatie.

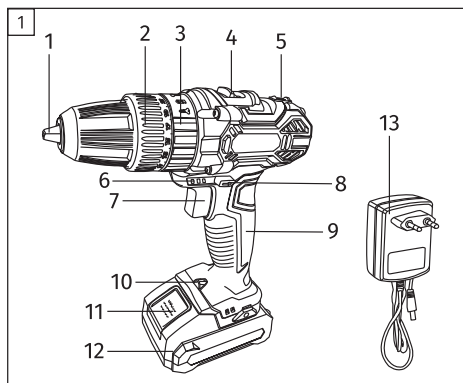
Mascot Online BV
Veluwezoom 32
1327 AH Almere
The Netherlands
www.wolfgang-tools.nl



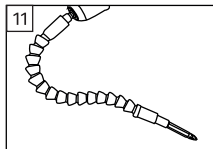
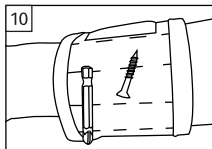
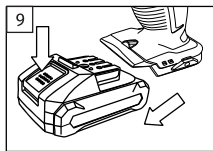
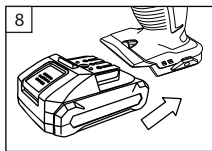
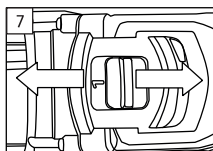
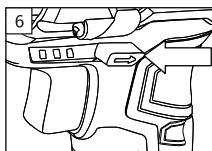
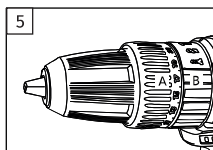
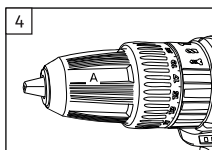
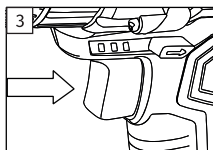
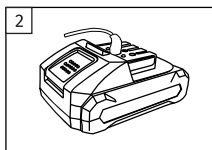
FR - PERCEUSE SANS FIL (CD20SK)

MODE D'EMPLOI

**AVERTISSEMENT :
VEUILLEZ LIRE ATTENTIVEMENT LE MANUEL AVANT
D'UTILISER L'APPAREIL !**



- | | |
|--|---|
| 1. Mandrin sans clé | 7. Gâchette marche/arrêt |
| 2. Réglage de couple | 8. Sélecteur du sens de rotation |
| 3. Bague de réglage de fonction | 9. Poignée |
| 4. Sélecteur de vitesse (haute-basse) | 10. Éclairage LED |
| 5. Niveau à bulle | 11. Loguet de déverrouillage de la batterie |
| 6. Indicateur de capacité de la batterie | 12. Batterie Li-ion |
| | 13. Chargeur |



EXPLICATION DES SYMBOLES

	Risque de blessures ou de dégâts matériels en cas de non-respect des consignes de ce mode d'emploi.
	Ne pas exposer les batteries à des températures supérieures à 40 °C.
	Ne pas jeter les batteries au feu. Ils pourraient exploser et provoquer des blessures.
	Ne pas jeter les batteries dans l'eau.
	Ce chargeur convient pour une utilisation à l'intérieur seulement.
	Classe de protection II : Appareil équipé d'une isolation renforcée sans pièce métallique accessible. Ne nécessite pas de fiche reliée à la terre.
	Les outils électriques ou électroniques défectueux doivent être remis pour être recyclés à une instance responsable.

INSTRUCTIONS DE SÉCURITÉ



AVERTISSEMENT !

Lisez tous les consignes de sécurité et toutes les instructions. La non-observation des avertissements et des instructions peut entraîner une électrocution, un feu et/ou de graves blessures. **Sauvegarder tous les avertissements et instructions pour une consultation future.**



Le terme "outil électrique" mentionné dans les avertissements se réfère à votre outil électrique (à fil) alimenté par le secteur ou à un outil électrique (sans fil) alimenté par batterie.

1. SÉCURITÉ DE LA ZONE DE TRAVAIL

- Faites en sorte que la zone de travail soit constamment propre et bien éclairée. Les zones encombrées ou obscures sont propices aux accidents.
- Ne pas utiliser d'outils électriques dans des atmosphères explosibles, par exemple en présence de liquides, de gaz ou de poussière inflammables. Ples outils électriques génèrent des étincelles qui peuvent enflammer la poussière ou les vapeurs.
- Éloigner les enfants et autres personnes présentes avant d'utiliser un outil électrique. Les distractions peuvent vous faire perdre le contrôle de l'outil.

2. SÉCURITÉ ÉLECTRIQUE

- Les fiches de l'outil électrique doivent correspondre à la prise de courant. Ne modifier en aucun cas la fiche de l'outil. Ne pas utiliser des fiches d'adaptateur avec des outils électriques mis à la terre. Les fiches non modifiées et les prises correspondantes réduisent le risque d'électrocution.
- Éviter tout contact du corps avec des surfaces mises à la terre, comme les tuyaux, radiateurs, cuisinières et des réfrigérateurs. Le risque de choc électrique augmente si votre corps est mis à la terre.
- Ne pas exposer les outils électriques à la pluie ou à l'humidité. L'infiltration d'eau dans un outil électrique augmentera le risque d'électrocution.
- Ne pas malmener le cordon. Ne jamais se servir du cordon pour porter, tirer ou débrancher l'outil électrique. Tenir le cordon éloigné de la chaleur, de l'huile, des arêtes vives ou des pièces mobiles. Les cordons endommagés ou enchevêtrés augmentent le risque d'électrocution.
- Lorsque vous vous servez d'un outil électrique à l'extérieur, employez une rallonge adaptée à l'utilisation à l'extérieur. L'emploi d'une rallonge adaptée à l'extérieur réduit le risque d'électrocution.

- f. Si l'emploi d'un outil électrique dans un endroit humide est inévitable, utilisez une alimentation protégée par un interrupteur différentiel. L'emploi d'un interrupteur différentiel réduit le risque d'électrocution.

3. SÉCURITÉ PERSONNELLE

- a. Restez vigilant, regardez ce que vous faites et faites preuve de bon sens lors d'utilisation d'un outil électrique. N'utilisez pas un outil électrique si vous êtes fatigué ou sous l'influence de drogues, d'alcool ou de médicaments. Un moment d'inattention lors d'utilisation d'outils électriques peut entraîner de graves blessures.
- b. Utilisez un équipement de protection individuelle. Toujours porter un dispositif de protection oculaire. Un équipement de protection comme un masque antipoussière, des chaussures de sécurité antidérapantes, un casque de protection, une protection auditive, utilisés pour des conditions appropriées réduiront le risque d'accident corporel.
- c. Prévenir la mise en marche involontaire. Assurez-vous que le commutateur est en position d'arrêt ('off') avant de brancher l'outil dans la source d'alimentation et/ou dans pack batterie, de le retirer ou de le transporter. Transporter des outils électriques avec le doigt sur le commutateur ou charger des outils électriques dont le commutateur est en marche (position 'on') est propice aux accidents.
- d. Retirer toute clé de réglage ou clé de serrage avant de mettre l'outil électrique en marche. Laisser une clé de serrage ou une clé de réglage fixée à une partie tournante de l'outil électrique peut entraîner un accident corporel.
- e. Ne vous penchez pas trop en avant. Garder constamment une bonne prise de pied et un bon équilibre. Cela permet, dans les cas imprévus, de mieux contrôler l'outil électrique.
- f. Porter des vêtements appropriés. Ne pas porter de vêtements amples ou des bijoux qui pendent. Faites en sorte que vos cheveux, vêtements et gants soient éloignés des pièces en mouvement. Les vêtements amples, les bijoux qui pendent ou des cheveux longs peuvent être happés par les pièces mobiles.
- g. Si des appareils sont prévus pour le raccordement de dispositifs d'extraction et de récupération de la poussière, assurez-vous qu'ils sont raccordés et correctement utilisés. L'emploi d'un dispositif de dé poussiérage peut réduire les dangers liés à la poussière.

4. UTILISATION ET ENTRETIEN DE L'OUTIL ÉLECTRIQUE

- a. Ne pas forcer l'outil électrique. Utiliser l'outil électrique approprié pour votre application. L'outil électrique correct fera le travail mieux et de manière plus sûre à la puissance pour laquelle il a été conçu.
- b. Ne pas utiliser l'outil électrique si le commutateur ne le met pas en marche et en arrêt. Tout outil électrique qui ne peut pas être contrôlé à l'aide du commutateur est dangereux et doit donc être réparé.
- c. Débrancher la fiche de la source d'alimentation et/ou du pack batterie avant de procéder à des réglages, au changement d'accessoires ou au rangement des outils électriques. Ces mesures de sécurité préventives réduisent le risque de mise en marche accidentelle de l'outil électrique.
- d. Ranger les outils électriques à l'arrêt hors de portée des enfants et interdire l'usage de l'outil électrique aux personnes qui ne connaissent pas l'outil électrique ou qui n'ont pas pris connaissance des présentes instructions. Les outils électriques sont dangereux entre les mains d'utilisateurs non formés.
- e. Entretenir les outils électriques. Rechercher le désalignement ou le blocage des pièces mobiles, la casse de pièces et tout autre état pouvant compromettre le bon fonctionnement de l'outil électrique. Si l'outil est endommagé, faites-le réparer avant de le réutiliser. Beaucoup d'accidents sont provoqués par des outils électriques mal entretenus.
- f. Faire en sorte que les outils de coupe soient bien tranchants et propres. Des outils de coupe correctement entretenus et aux arêtes tranchantes sont moins susceptibles de se bloquer et sont plus faciles à contrôler.
- g. Utiliser l'outil électrique, les accessoires et les mèches, etc. conformément aux présentes instructions, en tenant compte des conditions de travail et du travail à effectuer. L'utilisation de l'outil électrique pour des travaux différents de ceux prévus pourrait provoquer une situation dangereuse.

5. UTILISATION ET ENTRETIEN DE L'OUTIL À BATTERIE

- a. Recharger uniquement avec le chargeur spécifié par le fabricant. Un chargeur compatible avec un type de pack batterie peut créer un risque de feu s'il est utilisé avec un autre type de pack batterie.
- b. Utilisez des outils électriques uniquement avec des packs batteries spécifiquement désignés. L'utilisation de tout autre pack batterie peut occasionner un risque de blessure et de feu.

- c. Si le pack batterie n'est pas utilisé, rangez-le à l'écart d'autres objets métalliques, comme des trombones, pièces de monnaie, clés, clous, vis ou autres petits objets métallique susceptibles d'établir une connexion d'une borne à l'autre. La mise en court-circuit des bornes de batterie peut provoquer des brûlures ou un feu.
- d. Une mauvaise manipulation peut entraîner la projection de liquide de la batterie ; éviter le contact. En cas de contact accidentel, rincer à l'eau. Si le liquide atteint les yeux, faites, en outre, à une assistance médicale. Le liquide projeté de la batterie peut provoquer une irritation ou des brûlures.

6. RÉPARATION

- a. Confiez la réparation de votre outil électrique à un réparateur qualifié utilisant uniquement des pièces de rechange identiques. Cela garantira l'usage de l'outil électrique en toute sécurité.

7. AVERTISSEMENTS DE SÉCURITÉ POUR LES PERCEUSES

- a. Portez une protection auditive lorsque vous utilisez une perceuse à percussion. L'exposition au bruit peut entraîner une perte d'audition. REMARQUE : L'avertissement ci-dessus s'applique uniquement aux perceuses à percussion et peut être ignoré pour le perçage autre que le perçage par percussion.
- b. Utilisez une poignée auxiliaire si elle est fournie avec l'outil. L'a perte de contrôle peut entraîner un accident corporel.
- c. Tenez l'outil près des zones de cheville isolée lorsque vous effectuez une opération où l'accessoire de coupe peut entrer en contact avec un câble caché. L'accessoire de coupe venant au contact d'un câble sous tension peut exposer les pièces métalliques de l'outil à une tension électrique et pourrait électrocuter l'utilisateur.
- d. Cet outil peut être utilisé par des enfants âgés de 8 ans et plus et par des personnes aux capacités physiques, sensorielles ou mentales réduites ou sans expérience ni connaissances à condition qu'elles soient correctement supervisées ou que des instructions pour une utilisation sûre de l'appareil leur soient données et qu'il soit tenu des risques en présence. Les enfants ne doivent pas jouer avec l'outil. Nettoyage et entretien par l'utilisateur ne doivent pas être effectués par des enfants sans surveillance.
- e. Si le câble d'alimentation est endommagé, il doit être remplacé par le fabricant, son service après-vente ou des personnes de qualification similaire pour éviter un risque.

8. AVERTISSEMENTS DE SÉCURITÉ POUR LES CHARGEURS

- a. Avant d'utiliser le chargeur et le pack batterie, lire attentivement le manuel d'utilisation.
- b. Pendant la charge, le courant électrique utilisé doit correspondre aux spécifications du chargeur de batteries.
- c. Ne jamais laisser l'humidité, la pluie ou des éclaboussures atteindre le lieu de recharge.
- d. La température ambiante ne doit jamais dépasser 40 °C. Ne jamais exposer l'appareil à la lumière directe du soleil.
- e. Un pack batterie défectueux ou endommagé ou n'acceptant plus de charge doit être remis à un point de récupération spécial. Respectez l'environnement. Ne jetez pas un pack batterie inutilisable avec les ordures ménagères, au feu ou dans l'eau.
- f. Utiliser uniquement le pack batterie fourni par le fabricant.
- g. Faire en sorte que la surface du chargeur soit toujours à l'abri de la poussière et de la saleté.
- h. Insérez le pack batterie dans le chargeur. Suivre les repères de polarité.
- i. Retirer toujours le pack batterie avant d'effectuer un travail quelconque sur l'appareil.
- j. Une fois la batterie débranchée de l'outil, couvrir les contacts pour éviter un court-circuit (provenant d'outils par ex.).
- k. Ne pas jeter la batterie dans l'eau ou au feu. Risque d'explosion !
- l. Protéger le boîtier de la batterie contre les chocs et ne pas l'ouvrir.
- m. Ne déchargez jamais complètement la batterie. Rechargez-la régulièrement si vous ne l'utilisez pas pendant une longue période de temps.



RISQUES RÉSIDUELS

Même si l'outil est utilisé comme décrit, il est impossible d'éliminer tous les risques résiduels. Par sa construction et son design, l'outil peut entraîner les risques suivants :

1. Lésions pulmonaires si un masque approprié n'est pas porté.
2. Dommages auditifs si une protection auditive appropriée n'est pas portée.
3. Blessures corporelles provoquées par les vibrations si l'appareil électrique est utilisé de manière incorrecte ou pendant une période prolongée.



AVERTISSEMENT !

Pendant son fonctionnement, cet appareil produit un champ électromagnétique. Ce champ peut, dans certaines circonstances, perturber le fonctionnement d'implants médicaux actifs ou passifs. Pour réduire le risque d'accident corporel grave ou mortel, nous conseillons aux personnes porteuses d'implants médicaux de consulter leur médecin et le fabricant de l'implant médical avant d'utiliser cet appareil.

9. UTILISATION PRÉVUE

Cet outil électrique est conçu pour le perçage ainsi que pour le serrage et le desserrage de vis.

Cet outil électrique ne doit pas être utilisé à des fins autres que celles décrites.

UTILISATION ET FONCTION

INSTALLATION ET DÉGAGEMENT DU PACK BATTERIE

Mettez le levier de rotation avant/inverse (position "off"). Glissez le pack batterie chargé dans le logement jusqu'à ce que le pack batterie se verrouille en place. (fig. 8)

Pour dégager le pack batterie, appuyez sur le bouton de déverrouillage du pack batterie et faites glisser le pack batterie vers l'avant. (fig. 9)

CHARGE DE LA BATTERIE (fig. 2)

Ne pas utiliser d'autres chargeurs de batterie. Le chargeur de batterie fourni est conçu pour la batterie Lithium-Ion de votre outil. Ce chargeur convient pour une utilisation à l'intérieur seulement.

REMARQUE : La batterie est fournie partiellement chargée. Avant d'utiliser votre outil électrique pour la première fois, pour vous assurer de la pleine capacité de la batterie, chargez-la complètement à l'aide du chargeur de batterie. La batterie Lithium-Ion peut être rechargée à tout moment sans que sa durée de vie soit réduite. L'interruption de l'opération de charge n'endommage pas la batterie. Lorsque l'indicateur de charge de la batterie devient vert, c'est que la batterie est chargée.

L'opération de charge commence dès que vous branchez la fiche secteur du chargeur de batterie dans une prise secteur et que le connecteur de charge est branché dans la prise du côté de batterie. (fig. 2)

L'indicateur de charge de la batterie sur la fiche indique le processus de charge. Pendant ce processus, l'indicateur est allumé en rouge. Lorsque l'indicateur de charge de la batterie devient vert, c'est que la batterie est complètement chargée.

Il est normal que, durant ce processus, la poignée de l'outil devienne chaud.

La perceuse nécessite 1 heure de temps pour se charger complètement.

S'il n'est pas utilisé, débranchez le chargeur de batterie de l'alimentation secteur.

REMARQUE : L'outil électrique ne peut pas être utilisé pendant l'opération de charge.

CONTRÔLE DE VITESSE VARIABLE (fig. 3)

Il suffit d'appliquer une légère pression sur la gâchette pour démarrer la perceuse à petite vitesse. L'augmentation de la pression permettra une augmentation de la vitesse variable. Retirez toujours la batterie avant d'effectuer des réglages ou la maintenance.

MANDRIN SANS CLÉ (fig. 4)

Le mandrin sans clé monté sur cette perceuse/visseuse facilite la mise en place et le retrait des embouts et des forets (fig. 4).

Choisir l'embout de perçage/visage requis et l'insérer dans les mâchoires du mandrin, tourner le mandrin sans clé (A) dans le sens horaire jusqu'à ce que les mâchoires se serrent autour de l'embout. Pour desserrer le mandrin sans clé, le tourner en sens antihoraire.

RÉGLAGE DE FONCTIONS (fig. 5)



1. Réglage du couple

Cette fonctionnalité permet de régler le couple ou force de serrage de votre perceuse/visseuse. Selon l'application, différents niveaux de puissance de vissage sont nécessaires. En cas de vissage de vis de plus grand diamètres, un plus grand couple est nécessaire pour visser la vis jusqu'à ce qu'elle se mette correctement en place. Le mandrin s'arrêtera de tourner dès que le couple sélectionné est atteint (fig. 5).

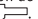
Pour régler le couple, tourner d'abord la bague de réglage de fonction (B) en position , puis tourner la bague de réglage du couple (A) vers la position correspondante

REMARQUE : Commencer toujours par le réglage le plus bas.

2. Réglage en position de perçage

Ce symbole  indique le réglage de couple le plus élevé, utilisé pour le perçage et pour le vissage de vis plus grandes. Pour régler la perceuse en position de perçage, tourner la bague de réglage de fonction en position .

3. Réglage en position de percussion

Pour percer le béton et la brique, régler la perceuse en position de percussion. Pour régler la perceuse en position de percussion, tourner la bague de réglage de fonction en position .

SÉLECTION DE ROTATION AVANT & INVERSE (fig. 6)

Cette fonctionnalité est sélectionnée à l'aide d'un sélecteur coulissant situé au-dessus de la gâchette. Pour sélectionner le sens de la rotation de la perceuse, il suffit de pousser le bouton entièrement à gauche pour la rotation inverse. Pour passer à la rotation avant, poussez le bouton entièrement à droite de la poignée.

ATTENTION ! Cet outil est conçu pour servir de perceuse et de visseuse. Ne pas fixer des accessoires autres que ceux recommandés.

REMARQUE : A titre de précaution de sécurité contre la mise en marche accidentelle pendant le transport de l'outil, mettez le bouton de sélection de rotation avant/inverse au milieu ou en position neutre pour rendre la perceuse inopérante.

TRAIN D'ENGRENAGES À DEUX VITESSES

Cette perceuse comporte un train d'engrenages à 2 vitesses pour donner des gammes de grande et de petite vitesse. Pour alterner les deux plages de vitesse, glissez le bouton sélecteur, situé en haut de la perceuse. (fig. 7)

Utiliser la petite vitesse (1) pour les applications nécessitant une forte puissance et un couple élevé et une grande vitesse (2) pour des applications de perçage et de vissage rapides.

Ne pas utiliser le train d'engrenages de vitesse pendant que l'outil fonctionne. L'outil risque d'être endommagé.

LAMPE DE TRAVAIL LED

ATTENTION : Ne pas regarder directement dans la lampe ou la source lumineuse

Tirez la gâchette On/Off pour allumer la lampe. La lampe reste allumée tant que la gâchette est tirée. La lampe s'éteint immédiatement dès que l'on relâche gâchette.

INDICATEUR DE CAPACITÉ DE LA BATTERIE

Il y a trois voyants pour indiquer la capacité de la batterie: rouge, jaune et vert. Si les trois voyants sont allumés, la batterie est suffisamment chargée; si les voyants rouge et jaune sont allumés, la batterie contient environ 50 % d'électricité; si seul le voyant rouge est allumé, il reste moins de 25 % d'électricité dans la batterie, qui devra être rechargée.

CONSEILS POUR LE VISSAGE

Chaque fois que c'est possible, percez des trous pilotes de petit diamètre pour un vissage plus rapide. Ce qui élimine le risque de fendre le bois.

NIVEAU À BULLE

Il y a un niveau à bulle sur le dessus du boîtier. Si vous devez percer un trou parallèle au sol, vous pouvez utiliser ce niveau à bulle. Si vous l'utilisez, la bulle d'air doit se trouver entre les deux traits au milieu du niveau à bulle.

COMMENT UTILISER LES ACCESSOIRES

Bracelet : Le bracelet est pourvu d'aimants pour pouvoir facilement transporter des vis ou embouts de vissage. Pour l'utiliser, fixer le bracelet autour du bras et y placer les vis ou embouts de vissage (fig. 10).

Rallonge flexible : Pour travailler dans des endroits restreints ou difficilement accessibles, vous pouvez utiliser la rallonge flexible. Pour l'utiliser, insérer la rallonge flexible dans le mandrin et bien serrer, puis insérer un embout de vissage dans l'autre extrémité. La rallonge flexible peut être utilisée en toutes directions (fig. 11).

Vis et chevilles : Il y a trois types de vis et de chevilles. Pour utiliser une cheville, d'abord percer un trou. Insérer la cheville dans le trou, puis visser la vis correspondante

VIS	CHEVILLE	FORET
3,5 x 12 mm (12 pcs)	#5 - Rouge (12 pcs)	5 mm
4 x 30 mm (8 pcs)	#6 - Verte (8 pcs)	6 mm
5 x 30 mm (6 pcs)	#8 - Bleue (6 pcs)	8 mm

MAINTENANCE ET RANGEMENT



ATTENTION !

Ne pas utiliser de produits susceptibles d'endommager l'outil (abrasifs, corrosifs, alcool, nettoyeurs à la vapeur, chiffons abrasifs, grattoirs, etc.). Ne pas placer l'appareil dans un lave-vaisselle aux fins de nettoyage !

Avant de nettoyer l'appareil, s'assurer qu'il est complètement éteint, débranché et refroidi.

MAINTENANCE

- Vous pouvez, si nécessaire, nettoyer le corps de l'appareil à l'aide d'un chiffon doux et sec.
- Vérifier que l'outil n'a pas été endommagé. Si l'outil est endommagé, nous vous recommandons d'appeler un technicien qualifié pour inspecter l'outil et effectuer les réparations nécessaires.
- Vérifier l'état des mandrins. Ne pas utiliser de mandrins usés ou endommagés.
- Charger le tournevis si nécessaire.

RANGEMENT

Ranger l'outil et ses accessoires dans un endroit sec et à l'abri du gel. L'outil doit toujours être tenu hors de portée des enfants. Nous vous recommandons de ranger l'outil dans son emballage d'origine ou de le couvrir avec un tissu approprié pour le protéger de la poussière.

SPÉCIFICATIONS TECHNIQUES

MODÈLE	CD20SK	
Tension	18 V DC	
Vitesse hors charge	0-400/0-1350 min ⁻¹	
Diamètre du mandrin sans clé	Ø10 mm	
Chargeur	Entrée 100-240 V- 50/60 Hz, 0,8 A	
	Sortie 21,5 V DC, 1,5 A	
DÉCLARATION DE NIVEAU SONORE SELON LA NORME EN 60745		
Niveau de pression sonore (dB(A))	L _{PA} = 82,2 (modèle de travail)	
	L _{PA} = 66 (charge nulle)	
Niveau de puissance sonore (dB(A))	L _{WA} = 93,2 (modèle de travail)	
	L _{WA} = 77 (charge nulle)	
Incertitude (dB(A))	K = 3	
DÉCLARATION DE NIVEAU DE VIBRATION SELON LA NORME EN 60745		
Perçage de métal (m/s ²)	a _{h,D} = 1,464 / a _{h,ID} = 4,156	
Fonctionnement (m/s ²)	Charge nulle/vitesse max. a _h = 1,542	
Incertitude (m/s ²)	K = 1,5	
Recharge rapide	Tension de batterie	18 V DC
	Temps de charge	1 h



AVERTISSEMENT :

La valeur totale des vibrations déclarée a été mesurée selon la méthode d'essai de la norme EN 60745. Elle peut servir à comparer un outil à un autre. La valeur totale des vibrations déclarée peut également effectuer une évaluation préliminaire de l'exposition.

Que l'émission de vibrations au cours de l'utilisation effective de l'outil électrique peut différer de la valeur totale déclarée en fonction de la manière dont l'outil est utilisé ; et de la nécessité d'identifier les mesures de sécurité pour protéger l'opérateur, lesquelles sont basées sur une estimation de l'exposition dans les conditions d'utilisation réelles (en tenant compte de toutes les phases du cycle de fonctionnement comme les temps où l'outil est éteint et quand il fonctionne au ralenti en plus du temps de déclenchement).

INSTRUCTIONS DE PROTECTION DE L'ENVIRONNEMENT (DEEE, directive relative aux déchets des équipements électriques et électroniques)



Votre produit a été fabriqué avec des matériaux et des pièces de haute qualité qui peuvent être recyclés et réutilisés. Arrivé en fin de vie, ce produit ne doit pas être déposé avec les ordures ménagères habituelles mais remis à un point de collecte spécial aux fins de recyclage des appareils électriques et électroniques. Votre attention sera attirée en ce sens par le symbole «conteneur de déchets» qui figure sur l'article, le mode d'emploi et sur l'emballage. Les matières premières utilisées sont recyclables.

Avec le recyclage des appareils ou des matières premières utilisés, vous apportez une contribution importante à la protection de notre environnement. Renseignez-vous auprès de la municipalité sur le point de collecte le plus proche.

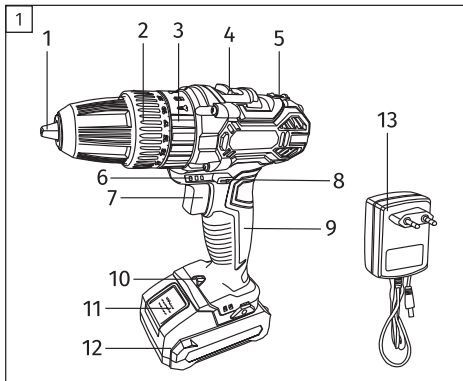
Ne pas jeter les batteries dans vos ordures ménagères. Pour vous débarrasser des batteries, remettez-les à votre station de recyclage local. Pour de plus amples informations, contactez les services compétents de votre municipalité.

Mascot Online BV
Veluwezoom 32
1327 AH Almere
The Netherlands
www.wolfgang-tools.nl

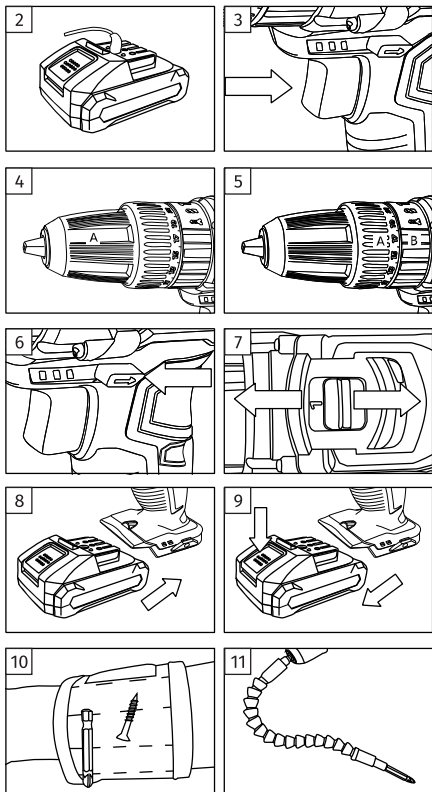


BEDIENUNGSANLEITUNG

WARNUNG!
LESEN SIE BITTE DAS BENUTZERHANDBUCH, BEVOR SIE DAS PRODUKT VERWENDEN!



- | | |
|---|---------------------------------|
| 1. Bohrfutteraufnahme | 7. On-/Off-Schalter |
| 2. Drehmomentregler | 8. Vorwärts-/Rückwärts-Schalter |
| 3. Funktionseinstellung | 9. Handgriff |
| 4. 2-Drehzahl-Rädertrieb (hoch-niedrig) | 10. LED-Anzeige |
| 5. Richtwaage | 11. Akku freigeben/einrasten |
| 6. Akkuzustandsanzeige | 12. Lithium-Ionen-Akku |
| | 13. Ladegerät |



	Gefahr für körperliche Verletzung oder materieller Schaden, wenn die Anweisungen in dieser Anleitung nicht befolgt werden.
	Batterien dürfen nicht an Temperaturen über 40 °C ausgesetzt werden. .
	Batterien nicht im Feuer entsorgen. Sie könnten explodieren und zu Verletzungen führen.
	Batterien nicht im Wasser entsorgen.
	Das Ladegerät ist nur für die Innenanwendung bestimmt.
	Schutzklasse II: Das Gerät kann mit einer verstärkten Isolierung ohne zugängliche Metallteile versehen sein. Es ist keine geerdete Steckdose erforderlich.
	Defekte Geräte und/oder Elektro- und Elektronikaltgeräte müssen bei den zuständigen Sammelstellen zur Wiederverwertung abgegeben werden.

SICHERHEITSHINWEISE

WARNUNG!
Lesen Sie alle Warnungen und Anweisungen. Die Missachtung der Warnungen und Anweisungen kann zu Stromschlag, Feuer und/oder ernsthaften Verletzungen führen. **Bewahren Sie alle Warnungen und Anweisungen als künftige Referenz auf.** Der Begriff „Elektrowerkzeug“ in den Warnungen bezieht sich auf Ihr netzbetriebenes (verkabeltes) oder batteriebetriebenes (kabelloses) Elektrowerkzeug.

- SICHERER ARBEITSBEREICH**
 - Der Arbeitsbereich muss sauber und gut beleuchtet sein. Unordentliche oder dunkle Arbeitsbereiche erhöhen die Unfallgefahr.
 - Bedienen Sie Elektrowerkzeuge nicht in explosiven Umgebungen, wie in der Nähe brennbarer Flüssigkeiten, Gase oder Staub. Elektrowerkzeuge können Funken erzeugen, die den Staub oder Dämpfe entzünden.
 - Kinder und Umstehende während der Anwendung des Elektrowerkzeugs fernhalten. Ablenkungen können zu einem Kontrollverlust führen.
- ELEKTRISCHE SICHERHEIT**
 - Stecker des Elektrowerkzeugs müssen zur Steckdose passen. Niemand den Stecker auf irgendeine Art und Weise verändern. Keine Adapterstecker mit geerdeten Elektrowerkzeugen benutzen. Unveränderte Stecker und passende Steckdosen reduzieren die Gefahr eines Stromschlags.
 - Vermeiden Sie Körperkontakt mit geerdeten Oberflächen , wie Rohre, Heizungen, Herde und Kühlschränke. Dies steigert die Gefahr eines Stromschlags, wenn Ihr Körper geerdet ist.
 - Elektrowerkzeuge nicht an Regen oder feuchten Bedingungen aussetzen. Wenn Wasser in das Elektrowerkzeug eindringt, steigt die Gefahr eines Stromschlags.
 - Das Kabel nicht beschädigen. Niemals das Kabel zum Tragen, Ziehen oder Herausziehen des Elektrowerkzeugs verwenden. Das Kabel von Wärme, Öl, scharfen Gegenständen, Kanten oder beweglichen Teilen fernhalten. Beschädigte oder verknottete Kabel steigern die Gefahr eines Stromschlags.
 - Verwenden Sie ein geeignetes Verlängerungskabel, wenn Sie das Elektrowerkzeug im Außenbereich verwenden. Die Verwendung eines für den Außenbereich geeigneten Kabels verringert die Gefahr eines Stromschlags.

- f. Wenn das Elektrowerkzeug in einer feuchten Umgebung benutzt wird, verwenden Sie ein Fehlerstromschutzgerät (RCD) als Schutzvorrichtung. Die Verwendung eines RCD reduziert die Gefahr eines Stromschlags.

3. PERSÖNLICHE SICHERHEIT

- a. Seien Sie aufmerksam, achten Sie auf das, was Sie tun und nutzen Sie Ihren gesunden Menschenverstand, wenn Sie ein Elektrowerkzeug verwenden. Benutzen Sie das Elektrowerkzeug nicht, wenn Sie müde sind oder unter dem Einfluss von Drogen, Alkohol oder Medikamenten stehen. Schon ein Moment der Unachtsamkeit kann beim Umgang mit Elektrowerkzeugen zu schweren Verletzungen führen.
- b. Tragen Sie eine persönliche Schutzausrüstung. Immer einen Augenschutz tragen. Schutzausrüstung wie Staubmaske, nicht rutschende Sicherheitsschuhe, Schutzhelm oder Gehörschutz für entsprechende Bedingungen reduzieren persönliche Verletzungen.
- c. Das Gerät nicht unbeabsichtigt einschalten. Stellen Sie sicher, dass sich der Schalter in der F-Position befindet, bevor Sie das Elektrowerkzeug an die Stromquelle und/oder die Batterie anschließen, das Werkzeug hochnehmen oder tragen. Das Tragen von Elektrowerkzeugen mit einem Finger am Schalter kann das Gerät einschalten und zu Unfällen führen.
- d. Entfernen Sie alle Einstellschrauben oder Schlüssel, bevor Sie das Elektrowerkzeug einschalten. Wenn ein Schlüssel oder eine Schraube an einem beweglichen Teil des Elektrowerkzeugs zurückbleibt, kann dies zu persönlichen Verletzungen führen.
- e. Nicht überstrecken. Passendes Schuhwerk tragen und stets das Gleichgewicht halten. Dies macht das Elektrowerkzeug in unerwarteten Situationen besser steuerbar.
- f. Passende Kleidung tragen. Keine weite Kleidung oder Schmuck tragen. Haare, Kleidung, und Handschuhe von beweglichen Teilen fernhalten. Lockere Kleidung, Schmuck oder langes Haar können sich in den beweglichen Teilen verfangen.
- g. Wenn Geräte für das Auffangen von Staub eingesetzt werden, stellen Sie sicher, dass diese korrekt angeschlossen sind und verwendet werden. Die Verwendung von Staubsammlern kann die Gefahr von staubbezogenen Unfällen verringern.

4. AKKUBOHRER ANWENDUNG UND PFLEGE

- a. Das Elektrowerkzeug nicht mit Gewalt verwenden. Das passende Elektrowerkzeug für Ihre Anwendung verwenden. Das richtige Elektrowerkzeug wird die Aufgabe besser und sicherer erledigen, weil es für diese Aufgabe entwickelt wurde.
- b. Verwenden Sie das Elektrowerkzeug nicht, wenn sich das Gerät nicht ein- und ausschalten lässt. Jedes Elektrowerkzeug, das nicht mit einem Schalter bedient werden kann, ist gefährlich und muss repariert werden.
- c. Ziehen Sie den Stecker am Elektrowerkzeug und/oder nehmen Sie die Batterie aus dem Elektrowerkzeug, bevor Sie irgendwelche Einstellungen vornehmen, Zubehör wechseln, oder das Elektrowerkzeug wegstellen. Derartige präventive Sicherheitmaßnahmen reduzieren die Gefahr, das Gerät versehentlich zu starten.
- d. Bewahren Sie nicht verwendete Elektrowerkzeuge außerhalb der Reichweite von Kindern und Personen auf, die mit dem Elektrowerkzeug oder diesen Anweisungen zur Bedienung des Elektrowerkzeugs nicht vertraut sind. Elektrowerkzeuge sind in den Händen ungeübter Benutzer gefährlich.
- e. Elektrowerkzeuge müssen gewartet werden. Prüfen Sie, ob bewegliche Teile falsch montiert sind oder Beschädigungen an Teilen vorhanden sind, die den Betrieb des Elektrowerkzeugs beeinträchtigen können. Lassen Sie das Elektrowerkzeug bei Schäden vor dem Gebrauch reparieren. Viele Unfälle werden durch schlecht gewartete Elektrowerkzeuge verursacht.
- f. Halten Sie Schneidwerkzeuge scharf und sauber. Gut gewartete Schneidwerkzeuge mit scharfen Klingen halten besser und sind leichter zu kontrollieren.
- g. Benutzen Sie das Elektrowerkzeug, Zubehör und Einsätze usw. gemäß dieser Anweisungen, und beachten Sie die Arbeitsbedingungen und die durchzuführende Arbeit. Verwenden Sie das Elektrowerkzeug nur für den vorgesehenen Zweck, eine Missachtung könnte zu gefährlichen Situationen führen.

5. AKKUBOHRER ANWENDUNG UND PFLEGE

- a. Laden Sie nur mit einem Ladegerät, das vom Hersteller empfohlen wurde. Ein Ladegerät, das für einen Akkutyp geeignet ist, könnte ein Brandrisiko bedeuten, wenn es mit einem anderen Akku verwendet wird.
- b. Verwenden Sie das Elektrowerkzeug nur mit speziell ausgewiesenen Batterien. Die Verwendung von anderen Batterien kann zu Verletzungen und Brandgefahr führen.

- c. Wenn die Batterie nicht verwendet wird, halten Sie sie von anderen Metallobjekten fern, wie Büroklammern, Münzen, Schlüsseln, Nägeln, Schrauben oder anderen kleinen Metallobjekten, die eine Verbindung von einer Klemme zu einer anderen herstellen können. Das Kurzschließen von Batterieklemmen kann zu Verbrennungen oder Bränden führen.
- d. Bei falscher Anwendung kann Flüssigkeit aus der Batterie austreten; Kontakt vermeiden. Falls versehentlich ein Kontakt auftritt, sofort mit Wasser abspülen. Falls Flüssigkeit in die Augen gelangt, zusätzlich einen Arzt aufsuchen. Batterieflüssigkeit kann zu Hautreizungen oder Verbrennungen führen.

6. KUNDENDIENST

- a. Lassen Sie Ihr Elektrowerkzeug von einem qualifizierten Techniker reparieren, der nur originale Ersatzteile verwendet. Dies wird die Sicherheit des Elektrowerkzeugs gewährleisten.

7. SICHERHEITSHINWEISE FÜR AKKUBOHRER

- a. Tragen Sie beim Schlagbohren einen Gehörschutz. Lärmbelastung kann zu Hörverlust führen. HINWEIS: Die obige Warnung gilt nur für Schlagbohrmaschinen, sie kann bei anderen Bohrarbeiten weggelassen werden.
- b. Verwenden Sie den mitgelieferten Zusatzhandgriff. Kontrollverlust kann zu schweren Verletzungen führen.
- c. Halten Sie das Elektrowerkzeug nur an den isolierten Handgriffen, wenn Sie Arbeiten ausführen, bei denen das Elektrowerkzeug verborgene Stromleitungen treffen könnte. Der Kontakt mit einer spannungsführenden Leitung kann zu einem elektrischen Schlag führen, da er auch Metallteile des Elektrowerkzeugs unter Spannung setzt.
- d. Dieses Gerät kann von Kindern ab 8 Jahren und Personen mit eingeschränkter körperlicher, sensorischer oder geistiger Fähigkeiten und ohne ausreichende Erfahrung und Wissen verwendet werden, wenn sie von einer Person, die für ihre Sicherheit verantwortlich ist, Anweisungen für den Gebrauch des Geräts erhalten oder von dieser beaufsichtigt werden. Kinder dürfen nicht mit dem Gerät spielen. Die Reinigung und Wartung des Ladegeräts darf nicht von unbeaufsichtigten Kindern durchgeführt werden.
- e. Wenn das Netzkabel beschädigt ist, muss es aus Sicherheitsgründen vom Hersteller, seinem Kundendienst oder ähnlich qualifizierten Personen ersetzt werden.

8. SICHERHEITSHINWEISE FÜR LADGERÄTE

- a. Lesen Sie die Anweisungen in diesem Handbuch sorgfältig durch, bevor Sie das Ladegerät verwenden.
- b. Die Ladespannung muss der Ausgangsspannung des Ladegeräts entsprechen.
- c. Niemals Feuchtigkeit, Regen oder Spritzer in das Ladegerät eindringen lassen.
- d. Die Umgebungstemperatur sollte nicht über 40 °C betragen. Das Gerät niemals direktem Sonnenlicht aussetzen.
- e. Defekte oder beschädigte Batterien oder nicht ladefähige Batterien müssen in einer speziellen Sammelstelle entsorgt werden. Respektieren Sie die Umwelt. Entsorgen Sie ungeeignete Batterien niemals im Hausmüll, durch Verbrennen oder in Wasser.
- f. Verwenden Sie nur die vom Hersteller mitgelieferten Batterien.
- g. Halten Sie die Oberfläche des Ladegeräts stets frei vom Staub und Schmutz.
- h. Setzen Sie die Batterien in das Ladegerät ein. Beachten Sie die Polarität.
- i. Entfernen Sie stets die Batterien, bevor Sie Handlungen an dem Gerät durchführen.
- j. Wenn die Batterie vom Werkzeug getrennt ist, decken Sie die Kontakte ab, um einen Kurzschluss zu vermeiden (z. B. von Werkzeugen).
- k. Werfen Sie die Batterie nicht in Wasser oder Feuer, Explosionsgefahr!
- l. Schützen Sie das Batteriegehäuse gegen Stöße und öffnen Sie es nicht.
- m. Die Batterie niemals ganz entladen und regelmäßig aufladen, wenn Sie sie für eine längere Zeit nicht verwenden.



RESTRIKTIKEN

Sogar bei der Benutzung des Werkzeugs entsprechend den Anweisungen ist es nicht möglich, alle restlichen Risikofaktoren auszuschließen. Die folgenden Gefahren können im Zusammenhang mit der Bauweise und Gestaltung des Werkzeugs auftreten:

1. Lungenerkrankungen, wenn keine wirksame Maske getragen wird.
2. Gehörschaden, wenn kein wirksamer Gehörschutz getragen wird.
3. Körperliche Verletzungen, die durch Erschütterungsmissionen verursacht werden, wenn das Elektrogerät falsch genutzt oder über einen langen Zeitraum schlecht instandgehalten wird.



WARNUNG!

Dieses Gerät erzeugt bei der Bedienung ein elektromagnetisches Feld. Dieses Feld kann unter bestimmten Umständen aktive oder passive medizinische Implantate beeinflussen. Personen, die medizinische Implantate tragen, wird empfohlen ihren Arzt und den Hersteller des medizinischen Implantats zu konsultieren, bevor Sie die Maschine bedienen, um die Gefahr von ernsthaften oder tödlichen Verletzungen zu verringern.

9. VERWENDUNGSZWECK

Dieses Elektrowerkzeug ist zum Bohren sowie zum Anziehen und Lösen von Schrauben entwickelt worden.

Dieses Elektrowerkzeug sollte nicht für andere Zwecke verwendet werden.

USE AND FUNCTION

BATTERIEN EINSETZEN UND ENTNEHMEN

Stellen Sie den Vorwärts/Rückwärts-Schalter auf die mittlere Position (Position Aus). Schieben Sie die Batterien in das Gehäuse, bis sie in der richtigen Position einrasten. (Abb. 8)

Um die Batterien zu entfernen, drücken Sie den Auslöser der Batterieabdeckung und schieben Sie die Batterien nach vorne. (Abb. 9)

BATTERIE LADEN (Abb. 2)

Benutzen Sie keine anderen Ladegeräte. Das mitgelieferte Ladegerät ist zum Laden der Lithium-Ionen-Batterie Ihres Geräts geeignet. Das Ladegerät ist nur für die Innenanwendung bestimmt.

HINWEIS: Die mitgelieferte Batterie ist teilweise geladen. Um die gesamte Kapazität der Batterie zu nutzen, die Batterie im Ladegerät vollständig laden, bevor Sie das Elektrowerkzeug erstmalig benutzen. Die Lithium-Ionen-Batterie kann jederzeit geladen werden, ohne deren Lebensdauer zu verringern. Eine Unterbrechung des Ladevorgangs beschädigt die Batterie nicht.

Wenn die Batterieanzeige grün leuchtet, sollte die Batterie geladen werden.

Der Ladevorgang beginnt, sobald der Netzstecker des Ladegeräts in eine Steckdose gesteckt wird und der Stecker des Ladegeräts in die Steckdose auf der Batterieseite eingesteckt wird. (Abb. 2)

Die Ladeanzeige am Stecker zeigt den Ladevorgang an. Während des Ladens leuchtet die Ladeanzeige rot. Wenn die Ladeanzeige grün leuchtet, ist die Batterie voll geladen.

Während des Ladens kann der Werkzeuggriff warm werden, dies ist normal.

Der Akkubohrer benötigt 1 Stunde, bis er voll geladen ist.

Trennen Sie das Ladegerät von der Stromversorgung, wenn es nicht verwendet wird.

HINWEIS: Das Elektrowerkzeug kann während des Ladens nicht verwendet werden.

VARIABLE GESCHWINDIGKEITSEINSTELLUNG (Abb. 3)

Drücken Sie einfach leicht auf den Auslöser, um den Bohrvorgang bei geringer Geschwindigkeit zu starten. Wird mehr Druck ausgeübt, wird die Geschwindigkeit erhöht. Entfernen Sie immer die Batterie, bevor Sie Einstellungen oder Wartungsarbeiten durchführen.

FUNKTION DER BOHRFUTTERAUFNAHME (Abb. 4)

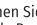
Die Bohrfutteraufnahme, die auf diesen Bohrer/Bohrschrauber gesteckt ist, ermöglicht einfaches Aufsetzen und Entfernen von Bohreinsätzen und Bohren (Abb. 4).

Wählen Sie den für den Bohrer/Bohrschrauber benötigten Bohreinsatz und stecken Sie ihn in die Spannbacken, drehen Sie die Bohrfutteraufnahme (A) im Uhrzeigersinn, bis die Backen den Bohrer-/Bohrschraubereinsatz greifen. Drehen zum Lösen der Bohrfutteraufnahme gegen den Uhrzeigersinn.

FUNKTIONSEINSTELLUNGEN (fig. 5)



1. Drehmomenteinstellungen

Diese Funktion ermöglicht die Einstellung des Drehmoments an Ihrem Akkubohrer. Je nach Anwendung sind verschiedene Antriebsstufen erforderlich. Wenn Sie größere Schraubenlöcher bohren, brauchen Sie ein höheres Drehmoment, bis die Schraube richtig befestigt ist. Sobald der ausgewählte Drehmoment erreicht ist, wird das Bohrfutter die Drehbewegung stoppen (Abb. 5).

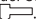
Drehen Sie zum Einstellen des Drehmoments zuerst den Funktionseinstellring (B) nach , drehen Sie dann den Drehmomentregler (A) auf die entsprechende Position.

HINWEIS: Beginnen Sie immer auf der niedrigsten Stufe.

2. Bohrerpositionseinstellung

Dieses Symbol  steht für den maximalen Drehmoment. Er wird zum Bohren und Befestigen großer Schrauben verwendet. Drehen Sie zum Einstellen der Bohrerposition einfach den Funktionseinstellring auf die Position .

3. Einstellung der Schlagposition

Stellen Sie beim Bohren in Beton und Stein den Bohrer auf die Schlagposition. Drehen Sie zum Einstellen der Schlagposition einfach den Funktionseinstellring auf die Position .

VORWÄRTS & RÜCKWÄRTS-SCHALTER (Abb. 6)

Diese Funktion wird mittels eines Schiebers verwendet, der sich oberhalb des Auslösers befindet. Um die rückwärtige Bohrrichtung auszuwählen, schieben Sie den Regler einfach ganz nach links. Für eine Vorwärts-Bewegung schieben Sie den Regler ganz nach rechts.

WARNUNG! Diese Maschine ist als Bohrer und Schraubendreher konzipiert. Befestigen Sie ausschließlich das mitgelieferte Zubehör.

HINWEIS: Aus Sicherheitsgründen sollte sich der Vorwärts/Rückwärts-Schalter in der Mitte oder neutralen Position befinden, wenn das Gerät getragen wird, um ein versehentliches Einschalten zu vermeiden.

ZWEISTUFIGES GETRIEBE

Dieser Akkubohrer verfügt über ein zweistufiges Getriebe für hohe und niedrige Geschwindigkeiten. Um zwischen den Geschwindigkeiten zu wechseln, verschieben Sie den Regler, der sich oberhalb des Geräts befindet. (Abb. 7)

Verwenden Sie die niedrige Geschwindigkeit (1) für hohe Leistung und Drehmomente und die hohe Geschwindigkeit (2) für schnelles Bohren oder Verschrauben.

Benutzen Sie Funktion nicht im laufenden Betrieb. Das Gerät könnte beschädigt werden.

LED- ARBEITSLAUCHE

ACHTUNG! Blicken Sie nicht direkt in das Licht oder in die Lichtquelle.

Ziehen Sie den Ein/Aus-Auslöser, um die Lampe einzuschalten. Die Lampe leuchtet so lange, wie der Auslöser gezogen wird. Die Lampe erlischt sofort, wenn der Auslöser gelöst wird.

AKKUZUSTANDSANZEIGE

Es gibt drei Akkuzustandsanzeigen: rot, gelb und grün. Wenn drei Anzeigen aufleuchten, ist genug Elektrizität im Akkupack. Wenn die rote und gelbe Anzeige aufleuchten, ist ca. 50 % Elektrizität im Akkupack. Wenn nur die rote Anzeige aufleuchtet, ist weniger als 25 % Elektrizität im Akkupack, dann muss der Akku aufgeladen werden.

TIPPS ZUM SCHRAUBEN

Bohren Sie möglichst immer kleine Vorlöcher, um den Schraubvorgang zu beschleunigen. Dadurch wird auch die Gefahr von splitterndem Holz verringert.

RICHTWAAGE

Oben auf dem Gehäuse befindet sich eine Richtwaage. Wenn Sie ein Loch parallel zum Boden bohren müssen, können Sie diese Richtwaage verwenden. Stellen Sie bei der Verwendung sicher, dass die Luftblase sich in den zwei Linien in der Mitte der Richtwaage befindet.

BENUTZUNG DER ZUBEHÖRTEILE

Armband: Es befinden sich Magneten im Armband, sodass Sie bequem Schrauben und Schraubensätze tragen können. Legen Sie es zur Verwendung um Ihren Arm und legen Sie die Schrauben oder Schraubensätze darauf (Abb. 10).

Biegewelle: Beim Arbeiten in kleinen Ecken oder an engen Stellen können Sie die Biegewelle verwenden. Stecken Sie zur Verwendung die Biegewelle in die Bohrfutteraufnahme und drehen Sie diese fest, stecken Sie dann einen Schraubensatz in das andere Ende. Die Biegewelle kann in die gewünschte Richtung gebogen werden (Abb. 11).

Schraube und Wanddübel: Es gibt drei Arten von Schrauben und Wanddübeln. Bohren Sie bei der Benutzung eines Wanddübels zuerst ein Loch. Stecken Sie den Wanddübel in das Loch, schrauben Sie dann die entsprechende Schraube an.

SCHRAUBE	WANDDÜBEL	BOHREINSATZ
3,5 x 12 mm (12 Stück)	#5 - Rot (12 Stück)	5 mm
4 x 30 mm (8 Stück)	#6 - Grün (8 Stück)	6 mm
5 x 30 mm (6 Stück)	#8 - Blau (6 Stück)	8 mm

WARTUNG UND LAGERUNG



HINWEIS!

Verwenden Sie keine Produkte, die das Gerät beschädigen könnten (scheuernde oder ätzende Mittel, Alkohol, Dampfreiniger, scheuernde Putzlappen, Schaber usw.) Das Gerät nicht im Geschirrspüler reinigen!

Das Gerät muss komplett abgeschaltet, von der Stromversorgung getrennt und abgekühlt sein.

WARTUNG

- Falls nötig, das Gehäuse mit einem weichen, trockenen Tuch reinigen.
- Prüfen Sie, ob die Maschine frei von Schäden ist. Wenn die Maschine beschädigt ist, sollten Sie einen qualifizierten Techniker mit der Überprüfung der Maschine und der erforderlichen Reparatur beauftragen.
- Überprüfen Sie den Zustand der Spanndorne. Verwenden Sie keine verschlissenen oder beschädigten Spanndorne.
- Bei Bedarf den Schraubendreher austauschen.

LAGERUNG

Bewahren Sie das Gerät an einem trockenen, frostfreien Ort auf. Das Werkzeug sollte stets außerhalb der Reichweite von Kindern sein. Es wird empfohlen, das Produkt in der Originalverpackung aufzubewahren oder es mit einem geeigneten Tuch vor Staub zu schützen.

TECHNISCHE SPEZIFIKATION

MODELL	CD20SK	
Netzspannung	18 V DC	
Keine Leerlauf-Drehzahl	0-400/0-1350 min ⁻¹	
Größe Schnellspann-Bohrfutter	Ø10 mm	
Lader	Eingang 100-240 V- 50/60 Hz, 0,8 A	
	Ausgang 21,5 V DC, 1,5 A	
ERKLÄRUNG ZUM SCHALLPEGEL GEMÄSS EN 60745		
Schalldruckpegel (dB(A))	$L_{pA} = 82,2$ (Funktionsmodell)	
	$L_{pA} = 66$ (Leerlauf)	
Schallleistungspegel (dB(A))	$L_{WA} = 93,2$ (Funktionsmodell)	
	$L_{WA} = 77$ (Leerlauf)	
Unsicherheit (dB(A))	K = 3	
ERKLÄRUNG ZUM SCHWINGUNGSPEGEL GEMÄSS EN 60745		
In Metall bohren (m/s ²)	$a_{n,D} = 1,464$ / $a_{n,ID} = 4,156$	
Funktionsmodus (m/s ²)	Leerlauf/höchste Drehzahl $a_n = 1,542$	
Unsicherheit (m/s ²)	K = 1,5	
Schnelles Laden	Batteriespannung	18 V DC
	Ladezeit	1 Stunde



WARNING:

The declared vibration total value has been measured in accordance with standard EN 60745 test method and may be used for comparing one tool with another; The declared vibration total value may also be used in a preliminary assessment of exposure.

That the vibration emission during actual use of the power tool can differ from the declared total value depending on the ways in which the tool is used; and of the need to identify safety measures to protect the operator that are based on an estimation of exposure in the actual conditions of use (taking account of all parts of the operating cycle such as the times when the tool is switched off and when it is running idle in addition to the trigger time).

ANWEISUNGEN ZUM SCHUTZ DER UMWELT
(WEEE, das Gesetz für den Umgang mit Elektro- und Elektronikabfällen)



Ihr Produkt wurde mit hochwertigen Materialien und Teilen gebaut, die wiederverwertet und erneut verwendet werden können. Dieses Produkt kann am Ende seiner Lebensdauer nicht im normalen Hausmüll entsorgt werden, sondern muss zu einer speziellen Sammelstelle für Elektro- und Elektronikabfälle gebracht werden. Diese Anforderung wird durch das Symbol einer durchgestrichenen Abfalltonne auf dem Produkt, im Benutzerhandbuch oder auf der Verpackung angegeben. Die verwendeten Rohstoffe sind wiederverwertbar.

Durch die Wiederverwertung von Altgeräten und Rohstoffen leisten Sie einen wichtigen Beitrag zum Schutz unserer Umwelt. Erkundigen Sie sich bei Ihrer Gemeinde nach einer Sammelstelle in Ihrer Nähe. Batterien nicht im Hausmüll entsorgen. Bringen Sie die Batterien zu einer örtlichen Recyclingannahme. Fragen Sie Ihre örtliche Stadtverwaltung nach Informationen.

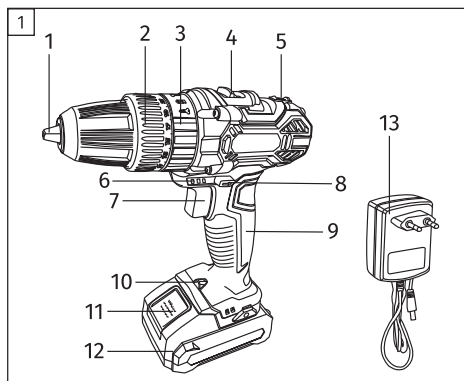
Mascot Online BV
Veluwezoom 32
1327 AH Almere
The Netherlands
www.wolfgang-tools.nl



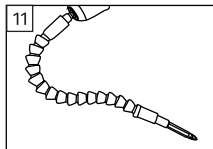
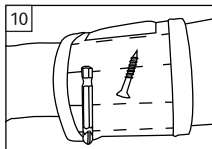
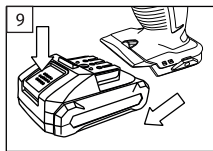
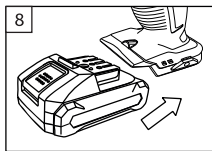
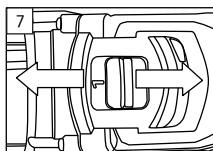
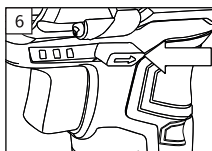
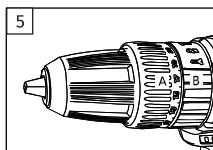
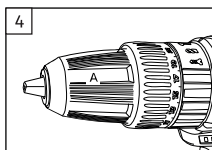
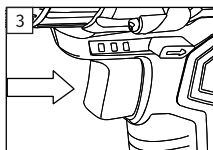
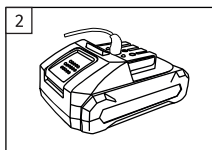
ES - TALADRO SIN CABLE (CD20SK)

MANUAL DE INSTRUCCIONES

**¡ATENCIÓN:
LEA ATENTAMENTE EL MANUAL
ANTES DE UTILIZAR LA UNIDAD!**



- | | |
|---|------------------------------------|
| 1. Portabrocas | 7. Botón de encendido |
| 2. Regulador del par | 8. Selector de sentido de giro |
| 3. Selector de función | 9. Mango |
| 4. Selector de velocidad (alta-baja) | 10. Luz LED |
| 5. Nivel | 11. Pieza de bloqueo de la batería |
| 6. Indicador de capacidad de la batería | 12. Batería de iones de litio |
| | 13. Cargador |



EXPLICACIÓN DE SÍMBOLOS

	Riesgo de lesiones físicas o daños materiales si no se siguen las instrucciones de este manual.
	No exponga las baterías a temperaturas superiores a 40 °C.
	No arroje las baterías al fuego. Pueden explotar y causar daños personales.
	No arroje las baterías al agua.
	Este cargador se ha diseñado para su uso en espacios interiores.
	Protección clase II: Dispositivo dotado de aislamiento reforzado sin piezas metálicas accesibles. No requiere un enchufe conectado a tierra.
	Las herramientas eléctricas o electrónicas defectuosas o descartadas para el uso se deben depositar en un punto de recogida adecuado para su tratamiento como residuos especiales.

INSTRUCCIONES DE SEGURIDAD



¡ADVERTENCIA!

Lea todas las precauciones de seguridad e instrucciones. Si no las sigue, pueden producirse descargas eléctricas, incendios o lesiones graves. **Guarde las precauciones e instrucciones por si necesita consultarlas en el futuro.**



El término "herramienta eléctrica" que aparece en las precauciones hace referencia a aparatos conectados a la red (con cable) o con batería (inalámbricos).

1. SEGURIDAD DE LA ZONA DE TRABAJO

- Mantenga la zona limpia y bien iluminada. El desorden y la falta de luz son la causa de muchos accidentes.
- No manipule herramientas eléctricas en atmósferas explosivas, como en presencia de líquidos, gases o polvo inflamables. Estas herramientas generan chispas que pueden inflamar el polvo o los gases.
- No permita que se acerquen niños ni otras personas cuando esté manejando una herramienta eléctrica. Las distracciones pueden hacerle perder el control.

2. SEGURIDAD ELÉCTRICA

- Los enchufes de las herramientas eléctricas deben ser adecuados para la toma. No modifique nunca un enchufe. No utilice enchufes adaptadores con herramientas eléctricas conectadas a tierra. Si no se modifican los enchufes y las tomas son las adecuadas, se reduce el riesgo de descarga eléctrica.
- Evite el contacto físico con superficies conectadas a tierra, como tuberías, radiadores, estufas y neveras. El riesgo de descarga eléctrica aumenta si su cuerpo está conectado a tierra.
- No exponga las herramientas eléctricas a la lluvia o la humedad. Si entra agua en una herramienta eléctrica, aumentará el riesgo de descarga eléctrica.
- No fuerce el cable. No utilice nunca el cable para transportar, arrastrar o desenchar la herramienta eléctrica. Mantenga el cable alejado del calor, aceite, bordes afilados o piezas móviles. Si el cable está dañado o enredado, aumenta el riesgo de descarga eléctrica.
- Si va a utilizar una herramienta eléctrica a la intemperie, asegúrese de utilizar un cable de extensión apto para uso en exteriores. Utilizar un cable adecuado para uso exterior reduce el riesgo de descarga eléctrica.
- Si es imprescindible utilizar una herramienta eléctrica en un entorno húmedo, use un dispositivo con protección diferencial (RCD). Utilizar un RCD reduce el riesgo de descarga eléctrica.

3. SEGURIDAD PERSONAL

- Manténgase alerta, preste atención a lo que hace y utilice el sentido común al manejar una herramienta eléctrica. No use una herramienta eléctrica si está cansado o ha consumido drogas, alcohol o medicamentos.** Un segundo que deje de estar atento al manejar una herramienta eléctrica puede provocar lesiones personales graves.
- Lleve equipo de protección personal. Lleve protección ocular en todo momento.** Los equipos de protección como máscaras antipolvo, calzado de seguridad que no resbale, cascos o protección auditiva en las condiciones adecuadas reducen las lesiones personales.
- Evite el encendido involuntario. Compruebe que el interruptor esté en la posición de apagado antes de conectar la alimentación o la batería, coger o transportar la herramienta.** Transportar herramientas eléctricas con el dedo en el interruptor o enchufarlas con el interruptor en la posición de encendido puede provocar accidentes.
- Retire cualquier llave de ajuste antes de encender la herramienta eléctrica.** Si hay una llave inglesa en una pieza móvil de la herramienta eléctrica, puede provocar daños personales.
- No intente llegar a donde no puede. Mantenga el equilibrio en todo momento.** Esto le permitirá controlar mejor la herramienta eléctrica en situaciones imprevistas.
- Lleve ropa adecuada. No lleve prendas holgadas ni joyas. Mantenga el pelo, la ropa y los guantes alejados de las partes móviles.** Las prendas sueltas, las joyas o el pelo largo se pueden quedar atrapados en las partes móviles.
- Si se suministran equipos para la conexión de instalaciones de extracción y recogida de polvo, asegúrese de que estén conectados y que se utilicen correctamente.** La recogida de polvo puede reducir riesgos relacionados con éste.

4. USO Y CUIDADO DE LA HERRAMIENTA ELÉCTRICA

- No fuerce la herramienta. Use la herramienta eléctrica adecuada para lo que necesita.** Hará mejor el trabajo y de una forma más segura a la velocidad para la que se ha diseñado.
- No utilice la herramienta si el interruptor no la enciende y apaga.** Una herramienta eléctrica que no se pueda controlar mediante el interruptor es peligrosa y se debe reparar.
- Desenchufe la herramienta o desconecte la batería antes de realizar ajustes, cambiar accesorios o cuando la vaya a guardar.** Estas medidas de seguridad preventivas reducen el riesgo de que la herramienta eléctrica se encienda accidentalmente.
- Guarde las herramientas eléctricas fuera del alcance de los niños y no permita que las manejen personas que no estén familiarizadas con ellas ni con estas instrucciones.** Las herramientas eléctricas son peligrosas en manos de personas sin la preparación adecuada.
- Mantenimiento de las herramientas eléctricas. Compruebe la alineación de las partes móviles, las uniones de éstas, si hay alguna pieza rota y toda situación que pueda influir sobre su funcionamiento. Si presenta daños, lleve la herramienta eléctrica a arreglar antes de usarla.** Muchos accidentes tienen su causa en un mantenimiento deficiente de las herramientas.
- Mantenga las herramientas de corte limpias y afiladas.** Si mantiene las herramientas de corte correctamente y con los filos afilados, hay menos probabilidad de que se atasquen y resultan más fáciles de controlar.
- Utilice siempre la herramienta eléctrica, los accesorios, las brocas, etc. de conformidad con estas instrucciones, teniendo en cuenta las condiciones de trabajo y la tarea que va a realizar.** Utilizar la herramienta eléctrica para otros fines distintos a aquellos para los que ha sido diseñada puede dar lugar a situaciones de peligro.

5. USO Y CUIDADO DE LA HERRAMIENTA CON BATERÍA

- Para recargarla, utilice exclusivamente el cargador especificado por el fabricante. Un cargador adecuado para un tipo de batería puede causar peligro de incendio si se usa con otro diferente.
- Utilice herramientas eléctricas únicamente con las baterías designadas. El uso de otras baterías puede causar riesgo de lesiones e incendio.
- Cuando no se esté utilizando la batería, manténgala alejada de otros objetos metálicos, como clips, monedas, llaves, clavos, tornillos u otros objetos pequeños de metal que puedan conectar un terminal con otro. Cortocircuitar los terminales de la batería puede provocar quemaduras o fuego.
- Si la fuerza, puede salir líquido de la batería; evite el contacto. Si se produce contacto accidental, lávese con agua abundante. Si el líquido entra en contacto con los ojos, acuda a un médico. El líquido expulsado por la batería puede provocar irritación y quemaduras.

6. MANTENIMIENTO

- El mantenimiento de la herramienta eléctrica debe ser realizado únicamente por una persona cualificada, con piezas de recambio idénticas. De esta forma se garantiza la seguridad de la misma.

7. PRECAUCIONES DE SEGURIDAD PARA TALADROS

- Lleve protección auditiva cuando utilice el taladro percutor.** La exposición al ruido puede producir pérdida de audición. **NOTA:** esta advertencia se refiere únicamente al taladro percutor, se puede omitir cuando el modo de taladro sea distinto.
- Utilice una empuñadura auxiliar si se incluye con la herramienta. Perder el control puede provocar daños personales.
- Sostenga la herramienta por las zonas aisladas cuando esté realizando una operación en la que el accesorio de corte pueda entrar en contacto con cables ocultos. Si el accesorio entra en contacto con un cable con carga, las partes metálicas de la herramienta se pueden ver expuestas a la tensión y dar una descarga eléctrica al operario.
- Este aparato puede ser utilizado por niños mayores de 8 años y por personas con discapacidades físicas, sensoriales o mentales o con falta de conocimientos y experiencia si están bajo supervisión o han recibido instrucciones con respecto al uso del aparato por parte de una persona responsable de su seguridad y se han tenido en cuenta los riesgos. Los niños no deben jugar con el aparato. La limpieza y el mantenimiento no deben ser realizados por niños sin vigilancia.
- Si resulta dañado el cable de alimentación, deberá ser sustituido por el fabricante, su servicio posventa o por personas con una cualificación similar para evitar riesgos.

8. PRECAUCIONES DE SEGURIDAD PARA CARGADORES

- Lea detenidamente el manual de instrucciones antes de usar el cargador y la batería.
- Durante la carga, la corriente eléctrica debe coincidir con las especificaciones del cargador de la batería.
- No exponga nunca el cargador a humedad, lluvia o salpicaduras.
- La temperatura ambiente no puede superar nunca los 40 °C. No exponga la unidad a la luz solar directa.
- Si una batería está defectuosa, dañada o ya no se carga, deséchela en un punto de recogida especial. Respete el medio ambiente. Nunca tire una batería inservible en la basura doméstica, ni al fuego o al agua.
- Utilice exclusivamente la batería suministrada por el fabricante.
- La superficie del cargador debe estar siempre limpia de polvo y suciedad.
- Introduzca la batería en el cargador. Observe las polaridades.
- Quite siempre la batería antes de realizar cualquier operación sobre el aparato.
- Cuando desconecte la batería de la herramienta, cubra los contactos para evitar cortocircuitos (de las herramientas, por ejemplo).
- No arroje la batería al agua o al fuego, ya que puede explotar.
- Proteja la caja de la batería de golpes y no la abra.
- No deje que la batería se descargue por completo y recárguela periódicamente si no la va a utilizar durante un período prolongado.



RIESGOS RESIDUALES

Incluso aunque se use la herramienta como se describe, es imposible eliminar todos los factores de riesgo residuales. Se pueden presentar los riesgos siguientes, relacionados con la construcción y el diseño de la herramienta:

- Lesiones pulmonares si no se usa una mascarilla adecuada.
- Daños en los oídos si no se utiliza la protección adecuada.
- Lesiones físicas causadas por emisiones de vibraciones si el aparato eléctrico se utiliza de manera incorrecta o durante mucho tiempo, o mal sujeta.



¡ADVERTENCIA!

Este aparato genera un campo electromagnético durante su funcionamiento. En determinadas circunstancias, este campo puede interferir con implantes médicos activos o pasivos. Para reducir el riesgo de lesiones graves o mortales, recomendamos encarecidamente a las personas que tengan implantes médicos que consulten a su médico y al fabricante del implante antes de usar este aparato.

9. USO PREVISTO

Esta herramienta eléctrica se ha diseñado para taladrar y para apretar o aflojar tornillos. No se deberá utilizar para otros fines distintos a los aquí descritos.

USO Y FUNCIÓN

INSTALACIÓN Y EXTRACCIÓN DE LA BATERÍA

Ponga la palanca de marcha adelante/atrás en el centro (posición de apagado).

Introduzca la batería cargada en el receptáculo hasta que entre en su posición. (fig. 8)

Para extraer la batería, pulse el botón para soltarla y deslícela hacia delante. (fig. 9)

CARGA DE LA BATERÍA (fig. 2)

No utilice otros cargadores de baterías. El cargador de baterías incluido se ha diseñado para la batería Lítio-Ión de su máquina. Este cargador se ha diseñado para su uso en espacios interiores.

NOTA: La batería viene parcialmente cargada con el producto. Para garantizar la capacidad total de la batería, cárguela por completo con el cargador antes de usar la herramienta eléctrica por primera vez. La batería Lítio-Ión se puede cargar en cualquier momento sin que ello acorte su vida útil. Interrumpir el procedimiento de carga no daña la batería.

Cuando el indicador de carga de la batería muestra una luz verde, la batería debería estar cargada.

El procedimiento de carga comienza al enchufar el enchufe del cargador de la batería en una toma si el conector de carga está acoplado a la conexión lateral de la batería. (fig. 2)

El indicador de carga de la batería del enchufe muestra la evolución de la carga. Durante el proceso, el indicador muestra una luz roja. Cuando el indicador de carga de la batería muestra una luz verde, la batería está totalmente cargada.

La empuñadura de la herramienta se calienta durante el proceso, pero es normal.

El taladro tarda 1 hora en cargarse completamente.

Desconecte el cargador de la batería de la red cuando no se esté utilizando.

NOTA: la herramienta eléctrica no se puede utilizar durante la carga.

CONTROL DE VELOCIDAD VARIABLE (fig. 3)

Presione ligeramente el gatillo interruptor para arrancar el taladro a baja velocidad. Si aumenta la presión, se producirá un incremento de velocidad variable. Extraiga siempre la batería antes de llevar a cabo cualquier ajuste o mantenimiento.

FUNCIONAMIENTO DEL PORTABROCAS (fig. 4)


El portabrocas de este taladro/percutor permite montar y desmontar fácilmente las brocas (fig. 4).

Seleccione la broca de taladro o percutor necesaria e insértela entre las mordazas del portabrocas, gire el portabrocas (A) en sentido horario hasta que las mordazas tengan bien sujeta la broca. Para aflojar el portabrocas, gírelo en sentido contrario.

AJUSTES DE FUNCIONES (fig. 5)

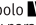
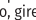
1. Ajustes del par

Esta función permite ajustar el par o potencia de apriete del taladro/destornillador y, dependiendo de la aplicación que se le vaya a dar, se requieren distintos niveles de potencia. Para atornillar tornillos de diámetro más grande se necesita una potencia de par mayor hasta fijar el tornillo. Al alcanzar el par seleccionado, el portabrocas dejará de girar (fig. 5).

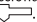
Para ajustar el par, gire el selector de función (B) hasta , a continuación, gire el regulador del par (A) a la posición correspondiente.

NOTA: empiece siempre en la posición más baja.

2. Selección de la función de taladro

Este símbolo  indica la mayor potencia de par y se emplea para taladrar y para atornillar tornillos grandes. Para seleccionar la función de taladro, gire el selector de función a la posición .

3. Selección de la función de impact

Para perforar en hormigón y ladrillo, ajuste el taladro en la posición de impacto. Para seleccionar la función de impacto, gire el selector de función a la posición .

INTERRUPTOR MARCHA HACIA DELANTE/ATRÁS (fig. 6)

Esta función se selecciona mediante un interruptor deslizante situado por encima del gatillo. Para seleccionar la dirección de giro del taladro, basta con pulsar completamente el botón de la izquierda para rotación inversa. Para cambiar a giro hacia delante, pulse totalmente el botón situado a la derecha de la empuñadura.

¡ADVERTENCIA! La máquina se ha diseñado como taladro y destornillador. No acople otros accesorios distintos a los recomendados.

NOTA: Como medida de seguridad para evitar la activación accidental al transportar, mantener pulsado el botón de marcha hacia delante/atrás en la posición intermedia o neutral hará que el taladro no esté operativo.

ENGRANAJE DE DOS VELOCIDADES

La broca incorpora un engranaje de dos velocidades para ofrecer la opción de alta y baja velocidad. Para cambiar entre las dos posiciones de velocidad, mueva el selector situado en la parte superior del taladro. (fig. 7)

Utilice la velocidad baja (1) para disfrutar de aplicaciones de gran potencia y par y la velocidad alta (2) para aplicaciones rápidas de taladrado y atornillado.

No accione el engranaje de velocidades con la herramienta en funcionamiento, ya que ésta puede resultar dañada.

LED DE FUNCIONAMIENTO

ATENCIÓN: no mire directamente a la luz o a la fuente de luz.

Para encender la lámpara, tire del gatillo interruptor de encendido/apagado. La lámpara seguirá iluminada mientras mantenga presionado el interruptor. En cuanto lo suelte, la lámpara se apagará.

INDICADOR DE CAPACIDAD DE LA BATERÍA

Hay tres indicadores de la capacidad de la batería: rojo, amarillo y verde. Si los tres indicadores están encendidos, significa que la batería tiene suficiente carga. Si solo se encienden los indicadores rojo y amarillo, la batería está aproximadamente al 50 % de carga. Si solo se enciende el indicador rojo, significa que queda menos del 25 % de carga en la batería y es necesario ponerla a cargar.

CONSEJOS PARA ATORNILLAR

Siempre que sea posible, practique orificios de diámetro más pequeño para atornillar con rapidez y evitar que se astille la madera.

NIVEL

La carcasa de esta herramienta lleva incorporado un nivel en la parte superior. Si tiene que perforar un orificio paralelo al suelo, puede guiarse por este nivel. Cuando lo use, procure que la burbuja de aire se mantenga entre las dos líneas del centro del nivel.

CÓMO USAR LOS ACCESORIOS

Muñequera: La muñequera tiene imanes en el interior, para poder llevar cómodamente tornillos o brocas. Para usarla, colóquese alrededor del brazo y adhiera los tornillos o las brocas a la superficie (fig. 10).

Eje flexible: Para trabajar en esquinas pequeñas o zonas ajustadas, puede usar el eje flexible. Para ello, inserte el eje flexible en el portabrocas y apriételo. A continuación, inserte una broca en el otro extremo. El eje flexible se puede doblar en cualquier dirección (fig. 11).

Tornillos y tacos: Hay tres tipos de tornillos y tacos. Para usar un taco, primero perforo un agujero. Inserte el taco en el agujero y luego enrosque el tornillo correspondiente.

TORNILLO	TACO	BROCA
3,5 x 12 mm (12 pcs)	#5 - Rojo (12 pcs)	5 mm
4 x 30 mm (8 pcs)	#6 - Verde (8 pcs)	6 mm
5 x 30 mm (6 pcs)	#8 - Azul (6 pcs)	8 mm

MANTENIMIENTO Y ALMACENAMIENTO



¡PRECAUCIÓN!

No utilice productos que puedan dañar la unidad (abrasivos, corrosivos, alcohol, limpiadores de vapor, paños abrasivos, espátulas, etc.). No meta la unidad en el lavavajillas.

La unidad debe estar completamente desenchufada, desconectada y fría antes de proceder a su limpieza.

MANTENIMIENTO

- Si es necesario, limpie el cuerpo de la unidad con un paño suave y seco.
- Compruebe que la máquina no haya resultado dañada. Si es así, le recomendamos que llame a un técnico cualificado para que revise la máquina y lleve a cabo las reparaciones necesarias.
- Compruebe el estado de los mandriles. No utilice mandriles desgastados o dañados.
- Cargue el destornillador cuando sea necesario.

ALMACENAMIENTO

Guarde la herramienta y sus accesorios en un lugar seco y resguardado de las heladas.

Manténgala siempre fuera del alcance de los niños. Recomendamos guardar la herramienta en su embalaje original o cubrirla con un tejido adecuado para protegerla del polvo.

ESPECIFICACIONES TÉCNICAS

MODELO	CD20SK	
Voltaje	18 V DC	
Velocidad en vacío	0-400/0-1350 min ⁻¹	
Tamaño del portabrocas sin llave	Ø10 mm	
Cargador	Entrada 100-240 V- 50/60 Hz, 0,8 A	
	Salida 21,5 V DC, 1,5 A	
DECLARACIÓN DE NIVEL DE RUIDO SEGÚN LA NORMA EN 60745		
Nivel de presión acústica (dB(A))	L _{PA} = 82,2 (modelo de trabajo)	
	L _{PA} = 66 (sin carga)	
Nivel de potencia acústica (dB(A))	L _{WA} = 93,2 (modelo de trabajo)	
	L _{WA} = 77 (sin carga)	
Incertidumbre (dB(A))	K = 3	
DECLARACIÓN DE NIVEL DE VIBRACIÓN SEGÚN LA NORMA EN 60745		
Perforación en metal (m/s ²)	a _{h,D} = 1,464 / a _{h,ID} = 4,156	
Modo de trabajo (m/s ²)	Sin carga/máx. velocidad a _h = 1,542	
Incertidumbre (m/s ²)	K = 1,5	
Recarga rápida	Voltaje de la batería	18 V DC
	Tiempo de carga	1 h



ATENCIÓN:

El valor total declarado de vibración se ha medido de conformidad con el método de prueba de la norma EN 60745 y se puede utilizar para comparar herramientas entre sí; el valor total declarado de vibración también se puede utilizar en una valoración preliminar de exposición. La emisión de vibraciones durante el uso de la herramienta eléctrica puede diferir del valor total declarado dependiendo de cómo se utilice la herramienta; asimismo, es necesario concretar medidas de seguridad para proteger al operario basadas en un cálculo de exposición en las condiciones reales de uso (considerando todas las partes del ciclo operativo, como los tiempos en que la herramienta está apagada y cuando está inactiva, además del tiempo de activación).

INSTRUCCIONES PARA LA PROTECCIÓN DEL MEDIO AMBIENTE (RAEE, directiva sobre residuos de aparatos eléctricos y electrónicos)



Este producto ha sido fabricado a partir de materiales y componentes de alta calidad que se pueden reciclar y volver a utilizar. Al final de su vida útil, este producto no se puede desechar en la basura normal, sino que se debe llevar a un punto de recogida especial para el reciclaje de aparatos eléctricos y electrónicos. El símbolo del contenedor tachado con una cruz que aparece en el aparato, el manual de uso y el embalaje le informa de esta circunstancia. Las materias primas utilizadas son susceptibles de ser recicladas.

Al reciclar aparatos o materias primas usados, realiza una importante contribución a la protección del medio ambiente. En su ayuntamiento le podrán informar del punto de recogida más cercano.

No tire las baterías a la basura normal. Para desechar las baterías, llévelas al centro de recogida de su ciudad. Póngase en contacto con las autoridades municipales para más información.

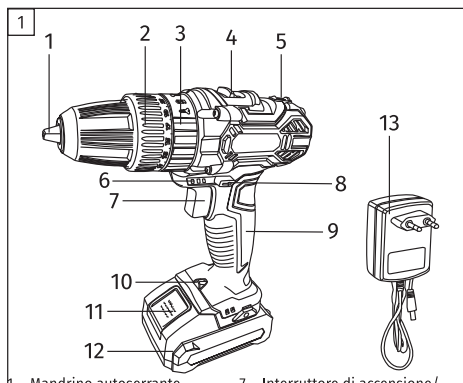
Mascot Online BV
Veluwezoom 32
1327 AH Almere
The Netherlands
www.wolfgang-tools.nl



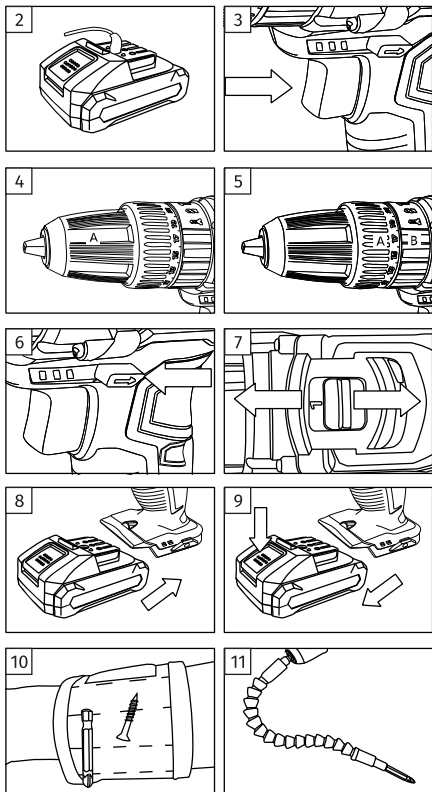
IT - TRAPANO SENZA FILI (CD20SK)

MANUALE D'USO

**AVVERTENZA:
LEGGERE ATTENTAMENTE IL MANUALE
PRIMA DI USARE L'UNITÀ!**



- | | |
|--|---|
| 1. Mandrino autoserrante | 7. Interruttore di accensione/
spegnimento |
| 2. Regolatore di coppia | 8. Interruttore avanti/indietro |
| 3. Anello di regolazione
di funzione | 9. Impugnatura |
| 4. Treno d'ingranaggi a due
velocità (alta-bassa) | 10. Luce a LED |
| 5. Livella a bolla | 11. Fermo di rilascio batteria |
| 6. Indicatore di capacità
della batteria | 12. Batteria agli ioni di litio |
| | 13. Carica-batteria |



SPIEGAZIONE DEI SIMBOLI

	Pericolo di lesioni fisiche o danni materiali in caso di mancata osservanza delle istruzioni del presente manuale.
	Non esporre le batterie a temperature superiori a 40 °C.
	Non smaltire le batterie nel fuoco, in quanto potrebbero esplodere e causare lesioni.
	Non smaltire le batterie nell'acqua
	Il carica-batteria è adatto soltanto per uso interno.
	Classe di protezione II. Dispositivo dotato di isolamento rinforzato senza parte metallica accessibile. Non richiede il collegamento di una spina a terra.
	Gli utensili elettrici o elettronici guasti e/o da smaltire devono essere consegnati all'ente responsabile dello smaltimento.

ISTRUZIONI DI SICUREZZA



AVVERTENZA!

Leggere tutte le istruzioni e le avvertenze di sicurezza. Il mancato rispetto di avvertenze e istruzioni può causare scossa elettrica, incendi e/o gravi lesioni. Conservare tutte le indicazioni e le istruzioni come riferimento per il futuro.



Il termine "attrezzo elettrico" nelle avvertenze si riferisce all'attrezzo elettrico (con cavo) azionato tramite rete o batteria.

1. SICUREZZA DELL'AREA DI LAVORO

- Tenere l'area di lavoro pulita e ben illuminata. Le aree in disordine o buie favoriscono gli incidenti.
- Non azionare attrezzi elettrici in atmosfere esplosive, come in presenza di liquidi, gas o polveri infiammabili. Gli attrezzi elettrici generano scintille che possono accendere la polvere o i fumi.
- Tenere lontano bambini e persone presenti quando si aziona un attrezzo elettrico. Le distrazioni possono causare perdita di controllo.

2. SICUREZZA ELETTRICA

- Le spine dell'attrezzo elettrico deve corrispondere alla presa. Non modificare la spina in alcun modo. Non usare adattatori con attrezzi elettrici (collegati a terra). Spine non modificate e prese idonee riducono il rischio di scossa elettrica.
- Evitare il contatto fisico con superfici dotate di collegamento a terra, come tubi, radiatori, piani di cottura e frigoriferi. Se il corpo è collegato a terra il rischio di scossa elettrica aumenta.
- Non esporre gli attrezzi elettrici a pioggia o condizioni di umidità. La penetrazione di acqua in un attrezzo elettrico aumenta il rischio di scossa elettrica.
- Non usare impropriamente il cavo per reggere, tirare o scollegare l'attrezzo elettrico. Tenere lontano il cavo da calore, unto, bordi affilati o parti mobili. I cavi danneggiati o aggrovigliati aumentano il rischio di scossa elettrica.
- Quando si aziona un attrezzo elettrico all'aperto, utilizzare una prolunga adatta all'uso esterno, per ridurre il rischio di scossa elettrica.
- Se è necessario azionare un attrezzo elettrico in un luogo umido, utilizzare alimentazione protetta da interruttore differenziale (RCD), per ridurre il rischio di scossa elettrica.

3. SICUREZZA PERSONALE

- a. Quando si aziona un attrezzo elettrico concentrarsi, prestare attenzione all'operazione in corso e seguire il buonsenso. **Non usare un attrezzo elettrico quando quando si è stanchi o sotto l'effetto di stupefacenti, alcolici o farmaci.** Un attimo di disattenzione durante l'utilizzo di un attrezzo elettrico può causare gravi lesioni personali.
- b. Usare dispositivi di protezione individuale. **Indossare sempre le protezioni per gli occhi.** I dispositivi di protezione come maschera anti-polvere, calzature antinfortunistiche anti-scivolo, caschetto o protezioni uditive usati in condizioni idonee riducono le lesioni personali.
- c. Evitare l'avvio non intenzionale. **Verificare che l'interruttore sia spento prima del collegamento all'alimentazione e/o al pacco batteria, il prelievo o il trasporto l'attrezzo.** Il trasporto o l'alimentazione di attrezzi manuali con l'interruttore acceso favorisce gli incidenti.
- d. **Prima di accendere l'attrezzo, rimuovere l'eventuale chiave di regolazione** in quanto può causare lesioni personali se lasciata attaccata a una parte mobile dell'attrezzo elettrico.
- e. **Non sporgersi eccessivamente. Mantenere sempre posizione ed equilibrio.** Questo consente un migliore controllo dell'attrezzo elettrico in situazioni inattese.
- f. **Indossare indumenti idonei. Non indossare gioielli o indumenti ampi.** Tenere lontano capelli, indumenti e guanti dalle parti mobili. Indumenti ampi, gioielli o capelli lunghi possono restare impigliati nelle parti mobili.
- g. **Se i dispositivi sono adatti al collegamento di apparecchiature di estrazione e raccolta di polvere, accertare che questi siano collegati e usati correttamente.** La raccolta di polvere può ridurre i pericoli correlati a quest'ultima.

4. USO E MANUTENZIONE DELL'ATTREZZO ELETTRICO

- a. **Non forzare l'attrezzo elettrico. Utilizzare l'attrezzo elettrico adatto all'applicazione prevista,** in quanto consentirà di operare al meglio e in sicurezza alla velocità per cui è stato progettato.
- b. **Non usare l'attrezzo elettrico se non è possibile accenderlo e spegnerlo con l'interruttore.** Qualsiasi attrezzo elettrico non controllabile dall'interruttore è pericoloso e deve essere riparato.
- c. **Scolligare la spina dall'alimentazione e/o il pacco batteria dall'attrezzo elettrico prima di effettuare regolazioni, sostituire accessori o riporre attrezzi elettrici.** Queste misure di sicurezza preventive riducono il rischio di avvio accidentale dell'attrezzo elettrico.
- d. **Riporre gli attrezzi elettrici inutilizzati lontano dalla portata dei bambini e non consentire a persone inesperte nell'uso o non a conoscenza delle presenti istruzioni di azionare l'attrezzo elettrico.** Gli attrezzi elettrici sono pericolosi nelle mani di utenti impreparati.
- e. **Sottoporre gli attrezzi elettrici a manutenzione. Controllare l'allineamento errato o il blocco di parti mobili, la rottura di componenti o qualsiasi altra condizione che possa compromettere il funzionamento dell'attrezzo elettrico.** In caso di danno, fare riparare l'attrezzo elettrico prima dell'uso. Molti incidenti sono causati da scarsa manutenzione di attrezzi elettrici.
- f. **Mantenere affilati e puliti gli attrezzi da taglio.** Attrezzi da taglio sottoposti ad adeguata manutenzione con bordi affilati hanno minori probabilità di bloccarsi e sono più facili da controllare.
- g. **Usare attrezzo elettrico, accessori e punte, ecc. in conformità alle presenti istruzioni, tenendo conto delle condizioni operative e del lavoro da svolgere.** L'uso dell'attrezzo elettrico per operazioni diverse da quelle previste può causare situazioni pericolose.

5. USO E MANUTENZIONE DEL CARICA-BATTERIA

- a. Utilizzare soltanto il carica-batteria specificato dal fabbricante. Un carica-batteria adatto a un solo tipo di pacco batteria può causare rischio di incendio se utilizzato con un altro pacco batteria.
- b. Utilizzare attrezzi elettrici solo con i **pacchi batteria appositamente concepiti.** L'uso di qualsiasi altro pacco batteria può causare rischio di lesioni e incendio.
- c. **Quando non si utilizza il pacco batteria, tenerlo lontano da oggetti metallici come graffette, monete, chiodi, viti o altri oggetti metallici di piccole dimensioni che possono creare un collegamento tra morsetti.** Il corto-circuito dei morsetti della batteria può causare ustioni o incendio.
- d. **In condizioni di uso improprio, si può verificare una fuoriuscita di liquido dalla batteria; evitare il contatto.** In caso di contatto accidentale, risciacquare con acqua. **In caso di contatto del liquido con gli occhi, consultare un medico.** Il liquido fuoriuscito dalla batteria può causare irritazione o ustioni

6. ASSISTENZA

- a. **L'attrezzo elettrico deve essere sottoposto ad assistenza di un tecnico qualificato che utilizzi esclusivamente ricambi identici per garantire il mantenimento della sicurezza dell'attrezzo elettrico.**

7. AVVERTENZE DI SICUREZZA PER I TRAPANI

- a. **Indossare protezione uditive durante la perforazione a impatto.** L'esposizione al rumore può causare perdita di udito. **NOTA:** Le avvertenze di cui sopra si applicano soltanto ai trapani a impatto e possono essere omesse per le altre perforazioni.
- b. Utilizzare un'impugnatura ausiliaria, se in dotazione con l'attrezzo. La perdita di controllo può causare lesioni personali.
- c. Quando si eseguono operazioni in cui l'accessorio di taglio può essere a contatto con un cavo nascosto, tenere lontano l'attrezzo dalle aree con prese isolate. Il contatto tra accessorio di taglio e cavo elettrico può esporre le parti metalliche dell'attrezzo a tensione e causare scossa elettrica all'operatore.
- d. L'apparecchio può essere utilizzato da bambini di età superiore a 8 anni o persone con capacità fisiche, sensoriali o mentali ridotte oppure prive di esperienza o conoscenza purché siano poste sotto un'adeguata supervisione e/o siano state fornite le istruzioni per l'uso dell'apparecchio in sicurezza e siano stati valutati i rischi previsti. I bambini non dovranno giocare con l'apparecchio. Pulizia e manutenzione effettuate dall'utente non dovranno essere eseguite da bambini non sorvegliati.
- e. Per evitare rischi, il cavo di alimentazione eventualmente danneggiato dovrà essere sostituito dal fabbricante, relativa assistenza post-vendita o persona con qualifica analoga.

8. AVVERTENZE DI SICUREZZA PER I CARICATORI

- a. Prima di utilizzare il carica-batteria e il pacco batteria, leggere attentamente il manuale di istruzioni.
- b. La corrente elettrica usata durante la ricarica deve corrispondere alle specifiche del carica-batteria.
- c. Evitare che umidità, pioggia o spruzzi raggiungano la posizione di ricarica.
- d. La temperatura ambiente non dovrà superare i 40 °C. Non esporre l'unità a radiazione solare diretta.
- e. Un pacco batteria difettoso, danneggiato o non più in grado di reggere una carica deve essere smaltito nei punti di raccolta specifici. Rispettare l'ambiente. Non smaltire un pacco batteria inutilizzabile nei rifiuti domestici, nel fuoco o in acqua.
- f. Utilizzare soltanto il pacco batteria fornito dal fabbricante.
- g. Rimuovere polvere e sporco dalla superficie del carica-batteria.
- h. Inserire il pacco batteria nel carica-batteria. Seguire le indicazioni di polarità.
- i. Rimuovere sempre il pacco batteria prima di svolgere un'operazione sul dispositivo.
- j. Quando la batteria è scollegata dall'attrezzo, coprire i contatti per evitare un corto circuito (per es. dagli attrezzi).
- k. Non buttare la batteria in acqua o nel fuoco, rischio di esplosione!
- l. Proteggere il case della batteria dagli urti e non aprirlo.
- m. Non scaricare completamente la batteria e ricaricarla regolarmente se inutilizzata per un lungo periodo di tempo.



RISCHI RESIDUI

Even with use of the tool as described, it is impossible to eliminate all risks. Anche utilizzando l'attrezzo come descritto, è impossibile eliminare tutti i fattori di rischio residui, che possono presentarsi in quanto insiti nella costruzione e nella progettazione dell'attrezzo stesso:

1. Lesioni polmonari in caso di mancanza di maschera efficace.
2. Danni all'udito in caso di mancanza di protezione acustica efficace.
3. Lesioni fisiche causate dalle vibrazioni emesse in caso di uso improprio dell'attrezzo, manutenzione scarsa o assente per lunghi periodi.



AVVERTENZA!

Durante il funzionamento, il dispositivo crea un campo elettromagnetico, che può talvolta interferire con dispositivi medici attivi o passivi. Per ridurre il rischio di lesioni gravi o fatali, raccomandiamo ai portatori di tali dispositivi medici di consultare il medico e il fabbricante del dispositivo medicale prima di usare questa unità.

9. USO PREVISTO

Questo attrezzo elettrico è progettato per perforare, serrare e allentare viti. Non dovrà essere usato per scopi diversi da quelli descritti.

USO E FUNZIONAMENTO

INSTALLAZIONE E SGANCIO DEL PACCO BATTERIA

Posizionare la leva di avanzamento/sgancio al centro (posizione di spegnimento)

Fare scorrere il pacco batteria nell'alloggiamento fino allo scatto di posizionamento. (fig. 8)

Per rimuoverlo, premere il relativo pulsante di sgancio e fare scorrere il pacco batteria in avanti. (fig. 9)

RICARICA DELLA BATTERIA (fig. 2)

Non utilizzare altri carica-batteria. Il carica-batterie in dotazione è concepito per la batteria agli ioni di litio dell'apparecchio. Il carica-batteria è adatto soltanto per uso interno.

NOTA: La batteria è fornita parzialmente carica. Per garantirne la capacità completa, caricare completamente la batteria con il relativo carica-batteria prima di utilizzare l'attrezzo elettrico per la prima volta. Si può caricare la batteria agli ioni di litio in qualsiasi momento senza ridurne la durata operativa. L'interruzione del processo di ricarica non danneggia la batteria.

Quando sull'indicatore del carica-batteria si accende una spia verde, la batteria dovrà essere ricaricata.

Il processo di ricarica inizia inserendo la presa di rete del carica-batteria in una presa in uscita e il connettore di carica nella presa laterale della batteria. (fig. 2)

L'indicatore del carica-batteria sulla spina segnala il processo di ricarica, quindi si accende una spia rossa. Quando sull'indicatore del carica-batteria si accende una spia verde, la batteria è completamente carica.

Durante il processo, l'impugnatura dell'attrezzo si riscalda, è normale. La ricarica completa del trapano richiede un'ora.

Scollegare il carica-batteria dall'alimentazione di rete quando inutilizzato.

NOTA: Durante il processo di ricarica, non si può utilizzare l'attrezzo elettrico.

CONTROLLO VELOCITÀ VARIABILE (fig. 3)

Applicare semplicemente una pressione lieve sul grilletto per avviare il trapano a bassa velocità. Aumentare la pressione per aumentare gradualmente la velocità. Rimuovere sempre la batteria prima di eseguire regolazioni o manutenzione.

FUNZIONAMENTO DEL MANDRINO AUTOSERRANTE (fig. 4)


Il mandrino autoserrante montato sul trapano/avvitatore consente di installare facilmente e rimuovere le punte (fig. 4).

Selezionare la punta da trapano/avvitatore e inserirla nelle ganasce del mandrino, ruotare il mandrino autoserrante (A) in senso orario in modo che le ganasce stringano la punta da trapano/avvitatore. Per sganciare il mandrino, ruotarlo in senso antiorario.

REGOLAZIONI DI FUNZIONE (fig. 5)


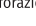
1. Regolazioni di coppia

Questa funzione consente di impostare la coppia o la potenza di serraggio del trapano/avvitatore; in funzione dell'applicazione, sono necessari vari livelli di potenza di avvitamento. Per avvitare viti più grandi, è necessaria una potenza di coppia maggiore. Quando si raggiunge la coppia selezionata, il mandrino interrompe la rotazione (fig. 5).


Per regolare la coppia, ruotare innanzitutto l'anello di regolazione di funzione (B) su  e posizionare il regolatore di coppia (A) come previsto.

NOTA: Iniziare sempre dall'impostazione minima.

2. Regolazione della posizione di perforazione

Questo simbolo  indica l'impostazione di coppia massima e si utilizza per perforare e avvitare viti più grandi. Per regolare la posizione di perforazione, ruotare l'anello di regolazione di funzione su .

3. Regolazione della posizione di impatto

Per perforare cemento e mattoni, regolare il trapano in posizione di impatto, ruotando l'anello di regolazione di funzione su .

INTERRUTTORE AVANTI/INDIETRO (fig. 6)

Questa funzione si seleziona tramite interruttore scorrevole situato sopra il grilletto. Selezionare la direzione di rotazione del trapano premendo a fondo il pulsante a sinistra per invertire la rotazione. Per passare alla rotazione in avanti, premere a fondo il pulsante a destra sull'impugnatura

AVVERTENZA! La macchina è progettata come trapano e avvitatore.

Non collegare accessori diversi da quelli raccomandati.

NOTA: A titolo precauzionale, onde evitare l'innesto accidentale durante il trasporto, premere il pulsante avanti/indietro in posizione intermedia o neutra per disattivare il trapano.

TRENO DI INGRANAGGI A DUE VELOCITÀ

Il trapano è dotato di treno a ingranaggi a 2 velocità per conferire range di velocità alta e bassa. Per alternare i due range di velocità, fare scorrere il selettore situato sopra il trapano. (fig. 7)

Utilizzare la bassa velocità (1) per applicazioni di coppia e potenza elevata e l'alta velocità (2) per applicazioni di avvitamento o perforazione rapide.

Non utilizzare il treno a ingranaggi mentre l'attrezzo è in funzione, in quanto quest'ultimo potrebbe essere danneggiato.

SPIA DI FUNZIONAMENTO A LED

ATTENZIONE: Non fissare direttamente la spia o la fonte luminosa.

Tirare il grilletto On/Off per accendere la spia. La spia resta accesa mentre si tira l'interruttore a grilletto e si spegne immediatamente quando viene rilasciato.

INDICATORE DI CAPACITÀ DELLA BATTERIA

Gli indicatori di capacità della batteria sono tre, rosso, giallo e verde. Se sono accesi tutti e tre, l'elettricità nel pacco batteria è sufficiente; se si accendono gli indicatori rosso e giallo, nel pacco batteria è presente circa il 50% di elettricità; se si accende soltanto l'indicatore rosso, nel pacco batteria è presente circa il 25% di elettricità e la batteria deve essere ricaricata.

INDICAZIONI PER L'AVVITAMENTO

Se possibile, praticare fori pilota di diametro piccolo per avvitare più rapidamente ed eliminare la possibilità di rompere il legno.

LIVELLA A BOLLA

La livella a bolla è posizionata nella parte superiore dell'attrezzo e consente di praticare una perforazione parallela al suolo. Per utilizzarla, verificare che la bolla d'aria sia all'interno delle due linee al centro della livella a bolla.

MODALITÀ DI UTILIZZO DEGLI ACCESSORI

Fascia da polso: la fascia da polso è dotata internamente di due magneti per reggere comodamente viti o punte a vite. Per utilizzarla, sistemarla attorno al braccio e posizionare viti o punte a vite attorno a essa (fig. 10).

Albero flessibile: per lavorare in angoli limitati o punti stretti, si può utilizzare l'albero flessibile, da inserire nel mandrino e serrare; aggiungere quindi una punta a vite all'altra estremità. Si può piegare l'albero flessibile nella posizione desiderata (fig. 11).

Vite e tassello da muro: Esistono tre tipi di vite e tassello da muro.

Quando si utilizza un tassello da muro, praticare innanzitutto un foro. Inserire il tassello da muro nel foro, quindi serrare la vite corrispondente.

VITE	TASSELLO DA MURO	PUNTA
3,5 x 12 mm (12 pz.)	#5 - Rosso (12 pz.)	5 mm
4 x 30 mm (8 pz.)	#6 - Verde (8 pz.)	6 mm
5 x 30 mm (6 pz.)	#8 - Blu (6 pz.)	8 mm

MANUTENZIONE E CONSERVAZIONE



ATTENZIONE!

Non utilizzare prodotti che possono danneggiare l'unità (abrasivi, corrosivi, alcol, pulitori a vapore, panni abrasivi, raschietti, ecc.). Non mettere l'unità in lavastoviglie per la pulizia!

L'unità deve essere completamente spenta, scollegata e raffreddata prima della pulizia.

MANUTENZIONE

- Se necessario, pulire il corpo dell'unità con un panno morbido e asciutto.
- Verificare che l'apparecchio non sia stato danneggiato. In caso contrario, si raccomanda di consultare un tecnico qualificato affinché controlli ed esegua le riparazioni necessarie.
- Controllare la condizione dei mandrini. Non utilizzare mandrini usurati o danneggiati.
- Se necessario, caricare l'avvitatore.

CONSERVAZIONE

Conservare l'attrezzo e gli accessori in un luogo secco e protetto dal gelo.

Tenere sempre l'attrezzo lontano dalla portata dei bambini. Si raccomanda di conservare l'attrezzo nella confezione originale o coprirlo con un tessuto idoneo per proteggerlo dalla polvere.

SPECIFICHE TECNICHE

MODELLO	CD20SK	
Tensione	18 V DC	
Velocità senza carico	0-400/0-1350 min ⁻¹	
Dimensione mandrino senza chiave	Ø10 mm	
Carica-batteria	Entrata 100-240 V- 50/60 Hz, 0,8 A	
	Uscita 21,5 V DC, 1,5 A	
DICHIARAZIONE DEL LIVELLO ACUSTICO IN CONFORMITÀ A EN 60745		
Livello di pressione acustica (dB(A))	L _{PA} = 82,2 (modello professionale)	
	L _{PA} = 66 (senza carico)	
Livello di potenza acustica (dB(A))	L _{WA} = 93,2 (modello professionale)	
	L _{WA} = 77 (senza carico)	
Incertezza (dB(A))	K = 3	
DICHIARAZIONE DEL LIVELLO DI VIBRAZIONE IN CONFORMITÀ A EN 60745		
Perforazione metallo (m/s ²)	a _{n,D} = 1,464 / a _{n,LD} = 4,156	
Mod professionale (m/s ²)	Senza carico/velocità max a _n = 1,542	
Incertezza (m/s ²)	K = 1,5	
Ricarica rapida	Tensione batteria	18 V DC
	Tempo di ricarica	1 h



AVVERTENZA:

Il valore totale dichiarato della vibrazione è stato valutato in conformità al metodo di prova EN 60745 standard e può essere usato per il confronto tra gli attrezzi; il valore totale dichiarato della vibrazione è utilizzabile in una valutazione preliminare dell'esposizione.

L'emissione della vibrazione durante l'uso effettivo dell'attrezzo elettrico può differire dal valore totale dichiarato in funzione del modo in cui si utilizza l'attrezzo e dell'esigenza di individuare misure di sicurezza per proteggere l'operatore basate su una stima dell'esposizione alle condizioni di utilizzo effettive (tenendo conto di tutte le parti del ciclo operativo come il numero di spegnimenti dell'attrezzo e il funzionamento al minimo oltre al tempo di accensione).

ISTRUZIONI PER LA PROTEZIONE DELL'AMBIENTE (RAEE, direttiva relativa ai rifiuti di apparecchiature elettriche ed elettroniche)



Il prodotto è stato fabbricato con materiali e componenti di alta qualità che possono essere riciclati e riutilizzati. Al termine della sua vita, il prodotto non può essere smaltito nei normali rifiuti domestici, ma deve essere conferito a un punto di raccolta specifico per il riciclo di apparecchiature elettriche ed elettroniche, come indicato dal simbolo del contenitore dei rifiuti barrato con una croce riportato sull'articolo, nel manuale utente e sulla confezione. Le materie prime usate sono adatte al riciclo.

Il riciclo di materie prime e apparecchi usati rappresenta un contributo importante alla protezione dell'ambiente. L'ubicazione del punto di raccolta più vicino è reperibile presso le autorità locali. Non smaltire le batterie nei rifiuti domestici. Conferire le batterie da smaltire alla stazione di riciclaggio più vicina. Per i dettagli, rivolgersi alle autorità competenti in loco.

Mascot Online BV
Veluwezoom 32
1327 AH Almere
The Netherlands
www.wolfgang-tools.nl

